



BT	BHUTAN
----	--------

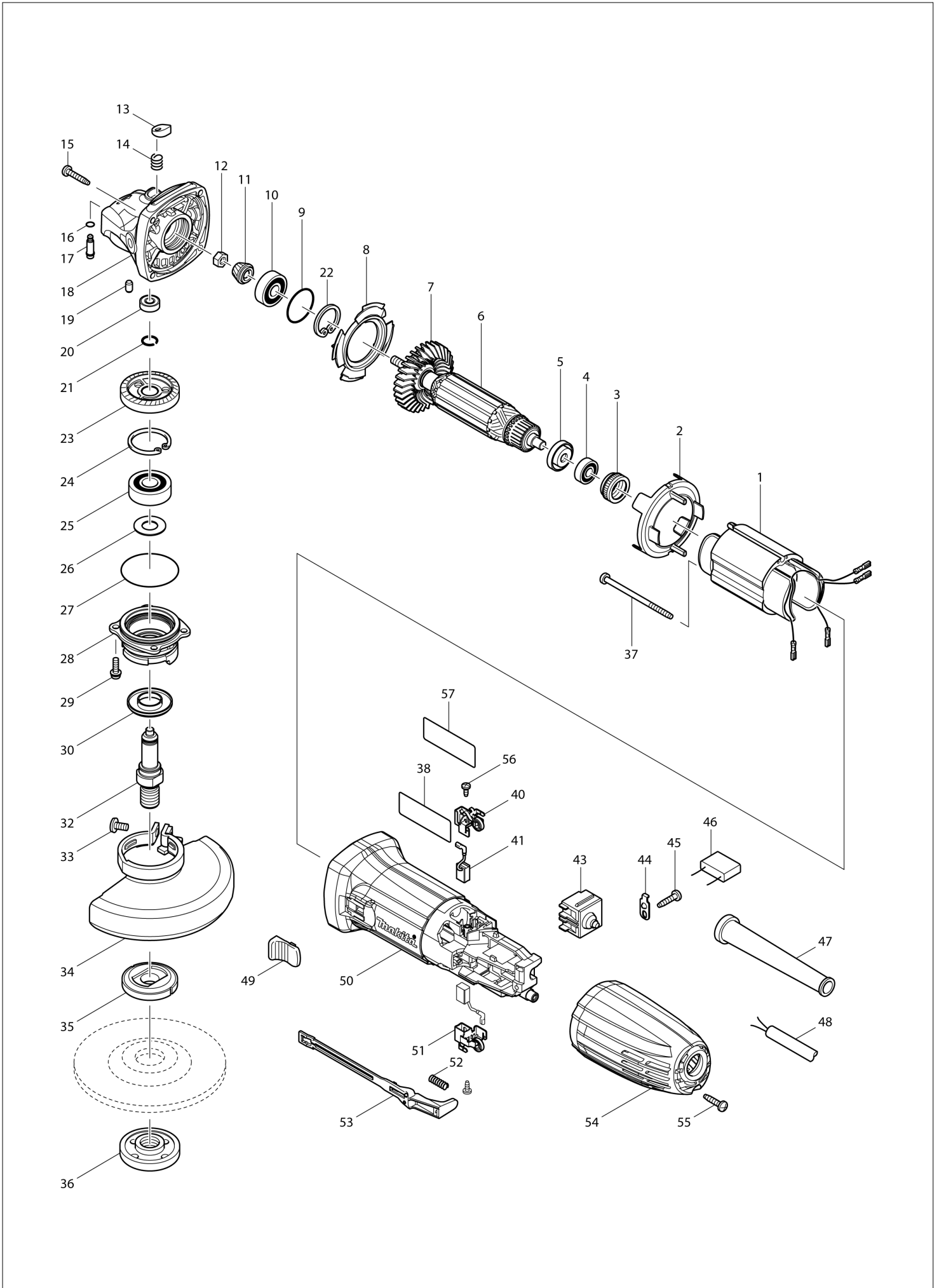
Diagram / Parts List

GA4530

115MM ANGLE GRINDER



(BT) GA4530 / 115MM ANGLE GRINDER



BT

BHUTAN

GA4530 / 115MM ANGLE GRINDER

Item	Sub	Parts No.	Parts Description	Qty	I/C	E/C No.	Close No.	Remark
001A		623533-4	FIELD 220-240V	1			A1657	
001B		623533-4	FIELD 220-240V	1			A1657	
001-1A		635113-4	FIELD 220-240V	1	O	A1657		
001-1B		635113-4	FIELD 220-240V	1	O	A1657		
001-1C		635113-4	FIELD 220-240V	1				
002		450796-7	BAFFLE PLATE	1				
003		421868-5	LABYRINTH RUBBER RING 19	1			DD769	
003-1		422768-2	LABYRINTH RUBBER RING19	1	<	DD769		
004		210034-7	BALL BEARING 607LLB	1				
005		681636-0	INSULATION WASHER	1				
006		517649-4	ARMATURE ASS'Y 240V	1				
	D10		INC. 4,5,7					
007A		240107-2	FAN 56	1			97304	
007B		240107-2	FAN 56	1			97304	
007-1A		240139-9	FAN 56	1	O	97304		
007-1B		240139-9	FAN 56	1	O	97304		
007-1C		240139-9	FAN 56	1				
008		413126-3	GUIDE PLATE	1				
009		213445-5	O-RING 26	1				
010		211092-6	BALL BEARING 629DDW	1				
011		227545-5	SPIRAL BEVEL GEAR 10	1			DJ258	
011-1		227545-5	SPIRAL BEVEL GEAR 10	1	S	DJ258		
012		252186-8	HEX. NUT M6	1				
013		417771-6	PIN CAP	1				
014		234057-1	COMPRESSION SPRING 8	1				
015		266324-6	TAPPING SCREW 4X22	4				
016A		213960-9	O RING 5	1			86890	
016-1A		213032-0	O RING 4	1	<	86890		
016-1B		213032-0	O RING 4	1				
016-1C		213032-0	O RING 4	1				
017		256510-7	SHOULDER PIN 4	1				
018		318335-8	GEAR HOUSING	1				
019		263002-9	RUBBER PIN 4	1				
020		210033-9	BALL BEARING 696ZZ	1				
021		233950-6	RING SPRING 11	1				
022		962105-3	RETAINING RING R-26	1				
023		227546-3	SPIRAL BEVEL GEAR 37	1			DJ258	
023-1		227546-3	SPIRAL BEVEL GEAR 37	1	S	DJ258		
024		962151-6	RETAINING RING R-32	1				
025		211129-9	BALL BEARING 6201DDW	1				
026		267113-2	FLAT WASHER 12	1			D7262	
026-1		267238-2	FLAT WASHER 12	1	O	D7262		
027		213561-3	O RING 42	1				
028		318336-6	BEARING BOX	1				
029		265099-4	PAN HEAD SCREW M4X14	4				
030		345464-4	LABYRINTH RING	1				
032		324954-0	SPINDLE	1				
033		265180-1	PAN HEAD SCREW M5X16	1				
034A		135247-8	TOOLLESS WHEEL COVER 115K ASSY	1			85996	
	D10		INC. 33				85996	
034-1A		122894-4	TOOLLESS WHEEL COVER 115K ASSY	1	<	85996	99721	
	C10	213009-5	O RING 4	1		85996	99721	
	D10		INC. 33			85996	99721	
034-1B		122886-3	WHEEL COVER 115K ASSEMBLY	1			99721	
	C10	213009-5	O RING 4	1			99721	
	D10		INC. 33				99721	
034-2A		123144-0	TOOLLESS WHEELCOVER 115AK ASSY	1	<	99721		
	C10	213009-5	O RING 4	1			99721	
	D10		INC. 33				99721	
034-2B		123098-1	WHEEL COVER 115AK ASS'Y	1	<	99721		
	C10	213009-5	O RING 4	1			99721	
	D10		INC. 33				99721	
034-2C		123098-1	WHEEL COVER 115AK ASS'Y	1				
	C10	213009-5	O RING 4	1				
	D10		INC. 33					

A:GA4530(H)
B:GA4530(H)
C:GA4530(H)

Interchange
O : Yes
X : No
< : the new part can be substituted for the current.
> : the current part can be substituted for the new.
S : Interchangeable as a set.

