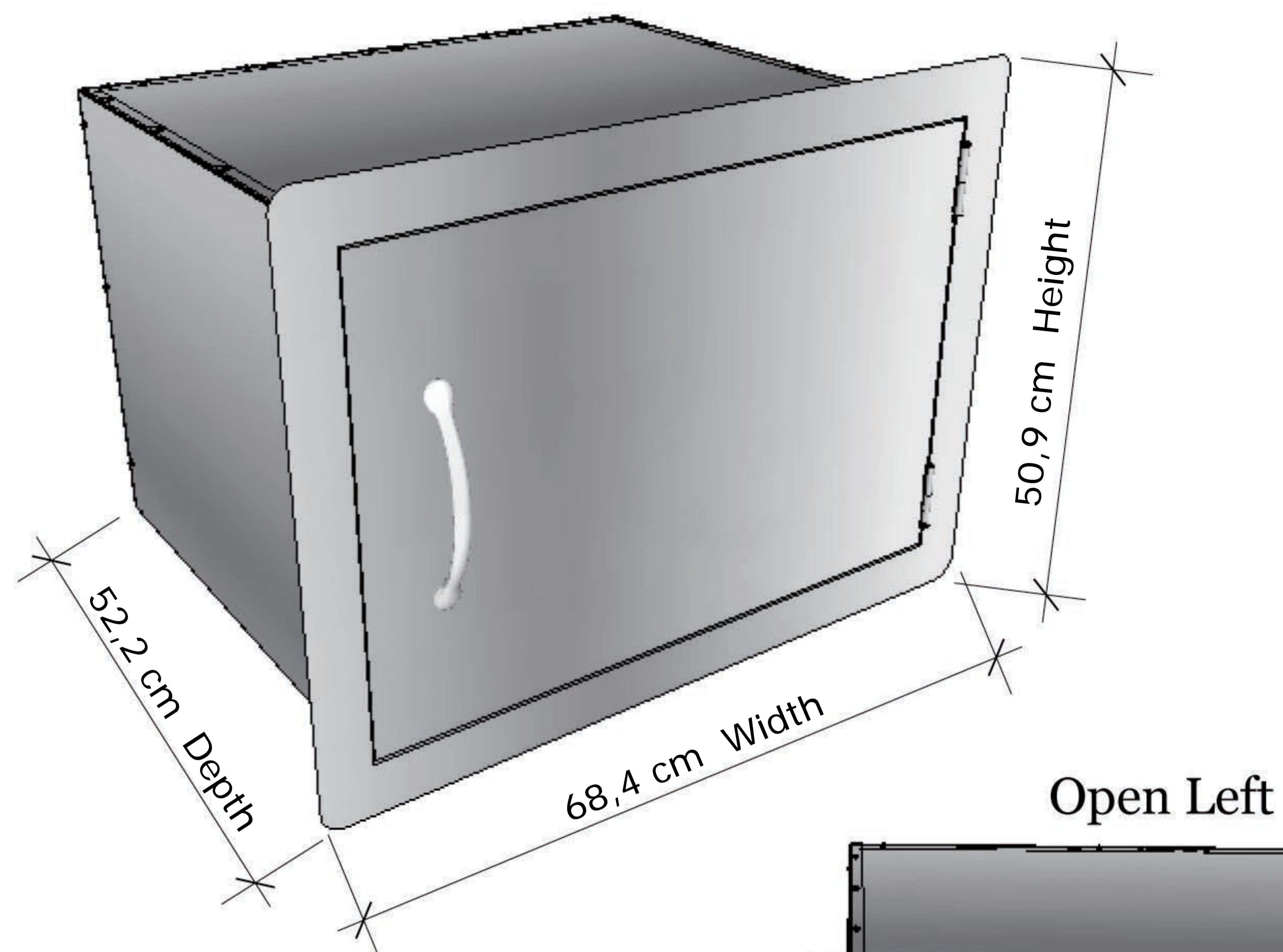
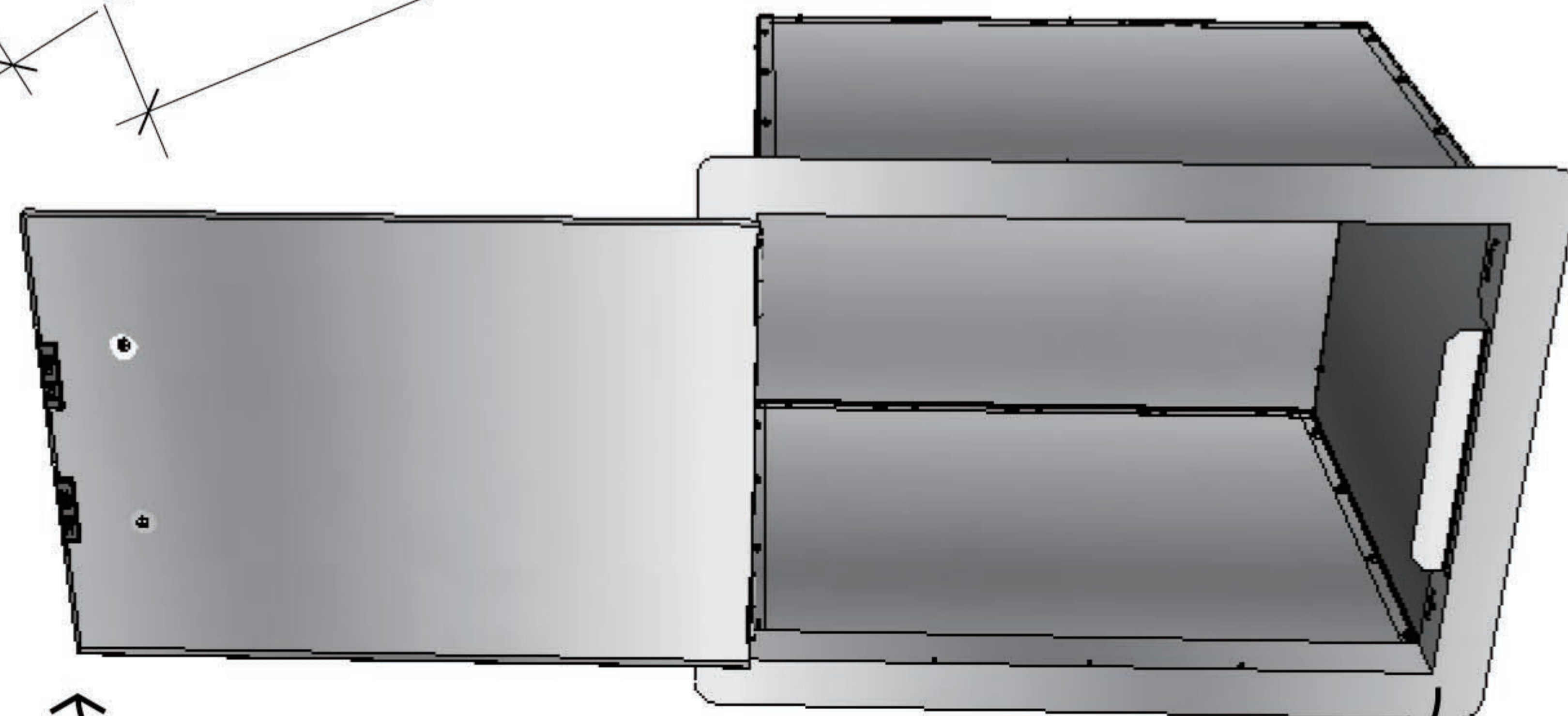


## Product Dimensions

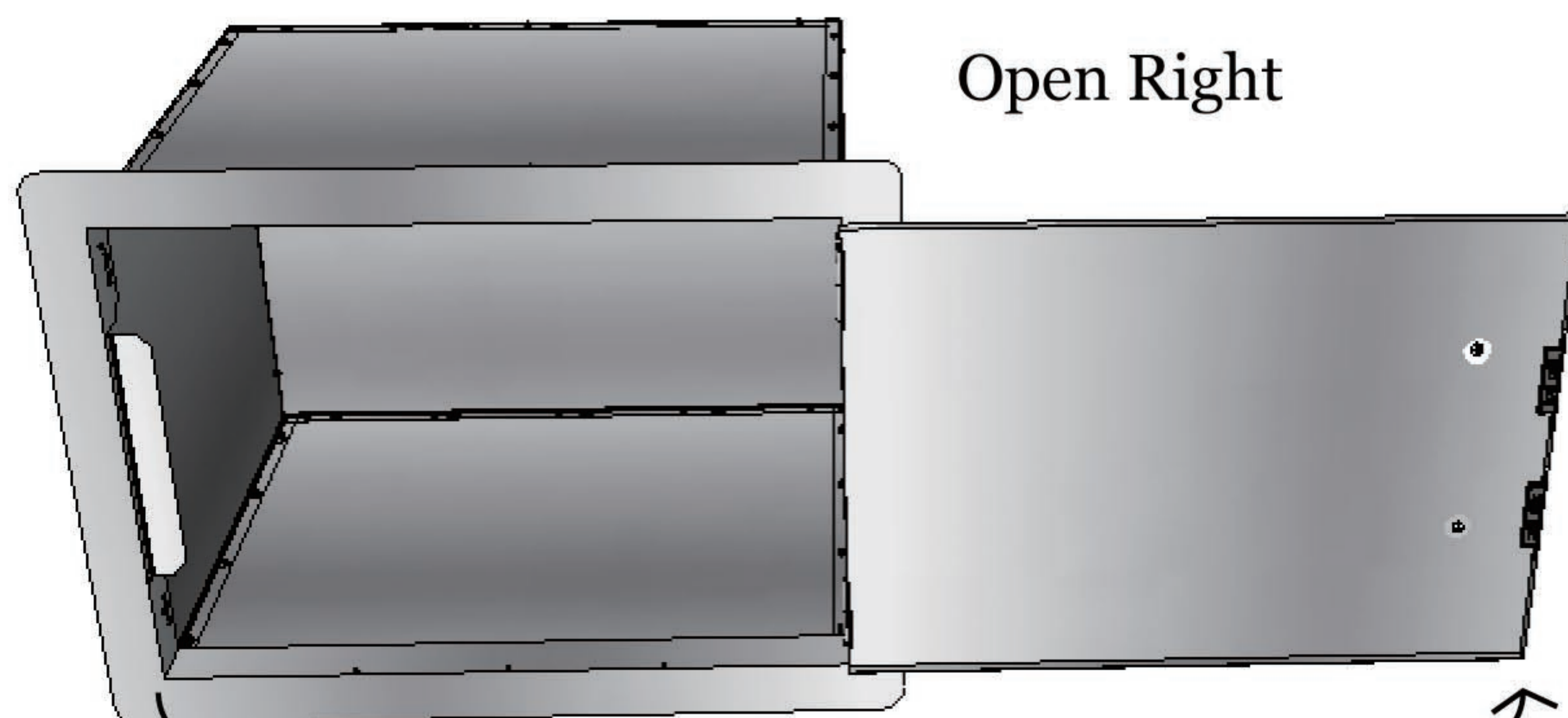


Open Left



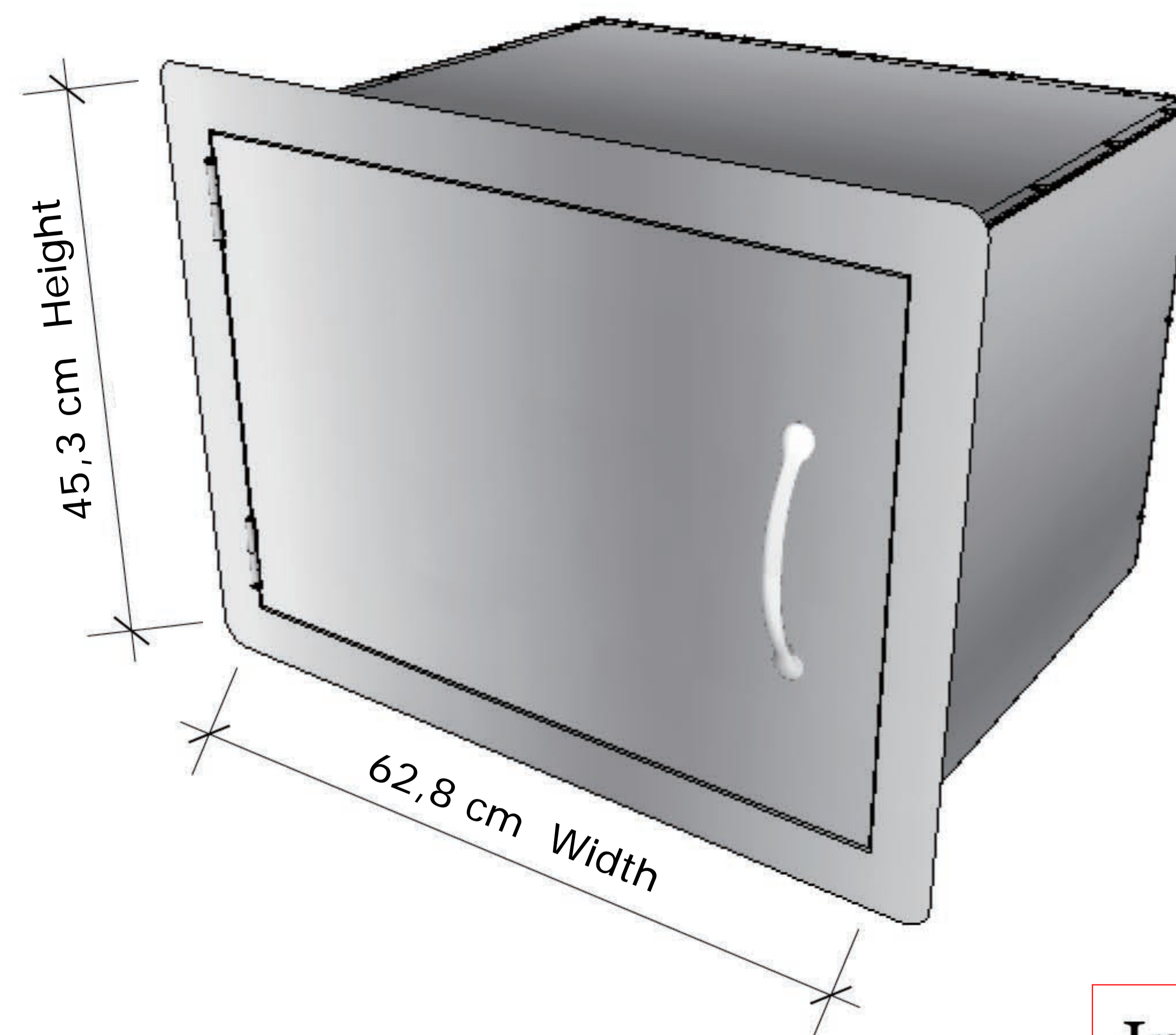
Open 180 Degree

Open Right

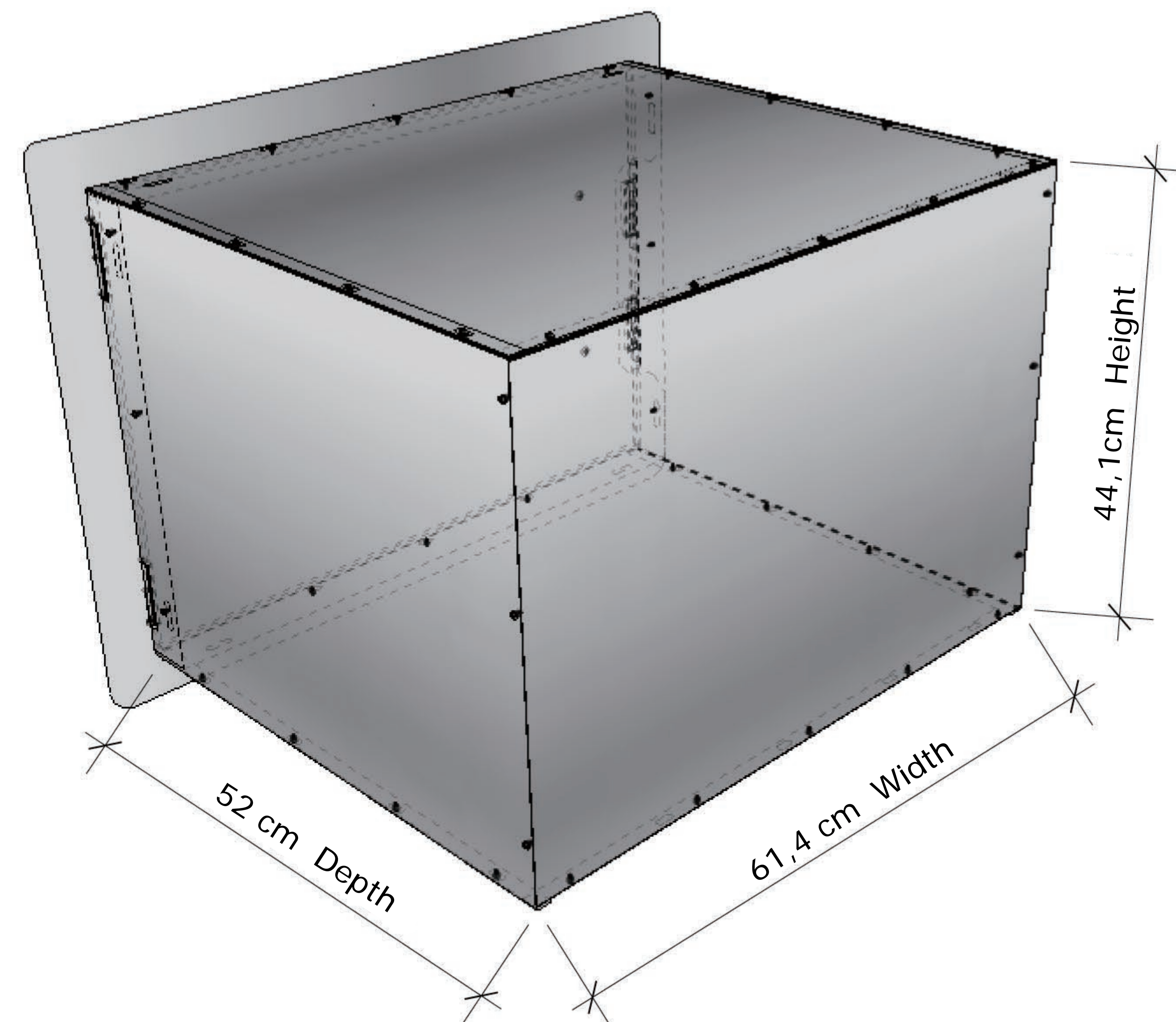


Open 180 Degree

## Cut-Out Dimensions



## Interior Space



SOME ASSEMBLY REQUIRED

Sunstone Metal Products  
16004 Central Commerce Dr  
Pflugerville TX 78660  
Tel: 888.934.9449  
Bus: 512.487.5116  
Fax: 512.487.7016

**PRODUCT**  
17" X 24" HORIZONTAL DRY STORAGE  
PANTRY W/SHELF  
Item No. DSH1724

**DESCRIPTION**  
304 stainless construction, flush  
mounted Polished Look. Cabinet  
is fully inclosed air tight.

**17" X 24" Horizontal DryStorage Pantry**  
68,4cm W x 50,9cm H x 52,2cm D (Product Size)  
62,8cm W x 45,3cm H (Cut-out)  
19,5 KG (Weight)

**Material Specifications:**  
16 gauge 304 stainless steel for door  
18 gauge galvanized sheet for the box  
Handles are made of zinc alloy,  
chrome plated.