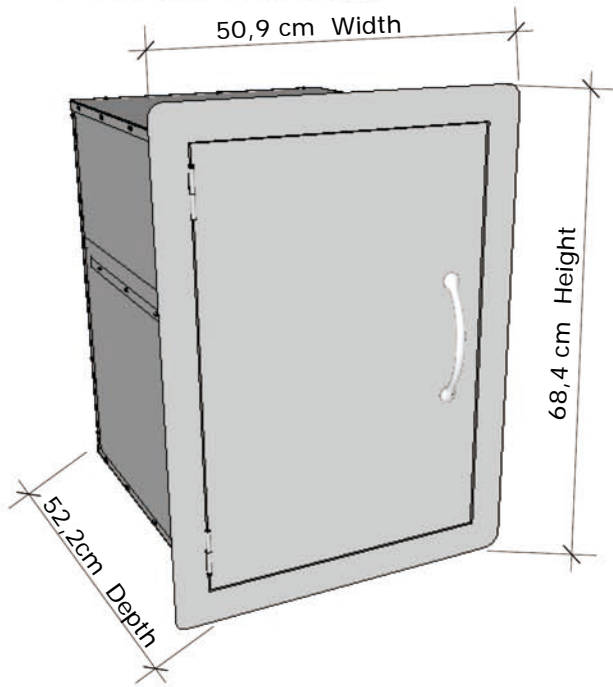
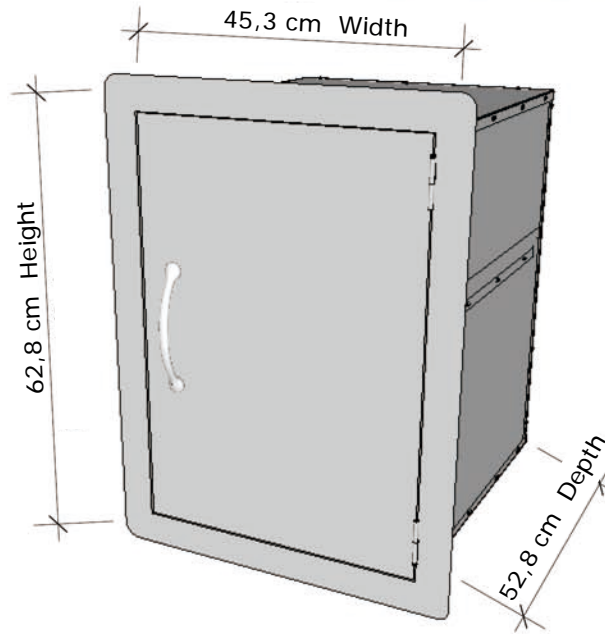


## Product Dimensions



## Cut-Out Dimensions



Sunstone Metal Products  
16004 Central Commerce Dr  
Pflugerville TX 78660  
Tel: 888.934.9449  
Bus: 512.487.5116  
Fax: 512.487.7016

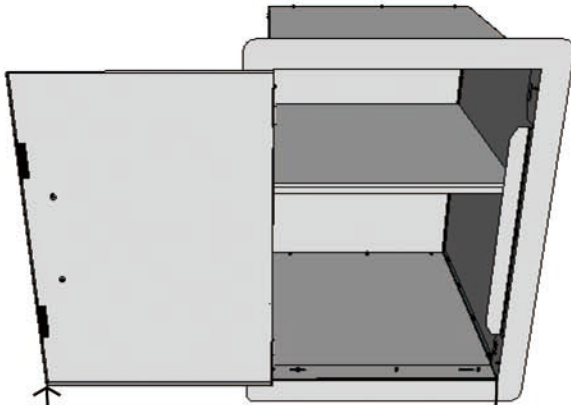
**PRODUCT**  
24" X 17" VERTICAL DRY STORAGE  
PANTRY W/SHELF  
Item No. DSV1724

**DESCRIPTION**  
304 stainless construction, flush  
mounted Polished Look. Cabinet  
is fully inclosed air tight.

24" X 17" Verticle DryStorage Pantry  
50,9cm W x 68,4cm H x 52,2cm D (Product Size)  
45,3cm W x 62,8cm H (Cut-out)  
19,5 KG (Weight)

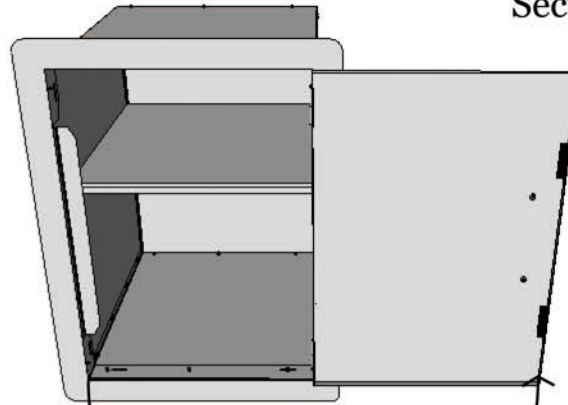
**Material Specifications:**  
16 gauge 304 stainless steel for door  
18 gauge galvanized sheet for the box  
Handles are made of zinc alloy,  
chrome plated.

Open Left



Open 180 Degree

Open Right

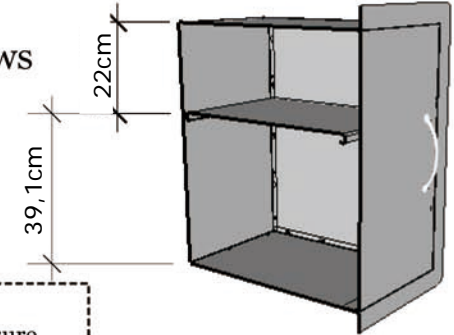


Open 180 Degree

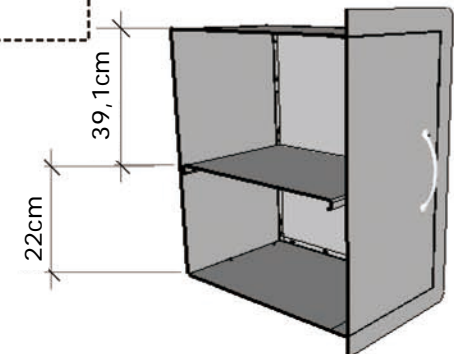
Section Cut-Views

With the Vertical  
Dry Storage enclosure  
you can set it up for  
LEFT or RIGHT positions  
and with the interior shelf  
on the UPPER or LOWER  
position.

Shelf Position 1: UPPER



Shelf Position 2: LOWER



SOME ASSEMBLY REQUIRED