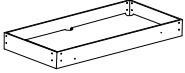






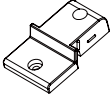




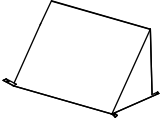


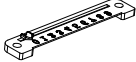
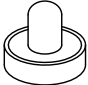

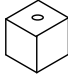
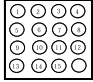
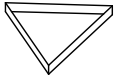
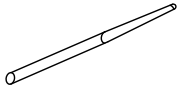





<p>1</p>  <p>Billiard Cabinet 1PC</p>	<p>2</p>  <p>Hockey and Target Shooting Table 1PC</p>	<p>3</p>  <p>Target Board 3PCS</p>	<p>4</p>  <p>Left Leg 2PCS</p>
<p>5</p>  <p>Right Leg 2PCS</p>	<p>6</p>  <p>End Leg Brace 2PCS</p>	<p>7</p>  <p>Leg Leveler 4PCS</p>	<p>8</p>  <p>Target Base 3PCS</p>
<p>9</p>  <p>Target - B 1PC</p>	<p>10</p>  <p>Target - C 1PC</p>	<p>11</p>  <p>Blaster 1PC</p>	<p>12</p>  <p>Foam Dart 5PCS</p>
<p>13</p>  <p>Soccer Net 1PC</p>	<p>14</p>  <p>Football 1PC</p>	<p>15</p>  <p>Air Pump 1PC</p>	<p>16</p>  <p>Goal Scorer 2PCS</p>
<p>17</p>  <p>Hockey Pusher 2PCS</p>	<p>18</p>  <p>Hockey Puck 2PCS</p>	<p>19</p>  <p>Chalk 2PCS</p>	<p>20</p>  <p>Billiard Ball 1SET</p>
<p>21</p>  <p>Triangle 1PC</p>	<p>22</p>  <p>Cue 2PCS</p>	<p>23</p>  <p>Brush 1PC</p>	<p>24</p>  <p>Target - A 1PC</p>
<p>25</p>  <p>Felt Pad 2PCS</p>			

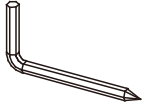
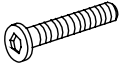

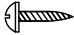
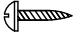

A1  Tool 1PC	A2  28.5mm Bolt 16PCS	A3  6mm washer 16PCS	A4  4 x12mm Round Head Screw 12 PCS
A5  4 x10 mm Round Head Screw 2PCS	A6  4 x10 mm Round Head Screw 10PCS		

FIG. 1

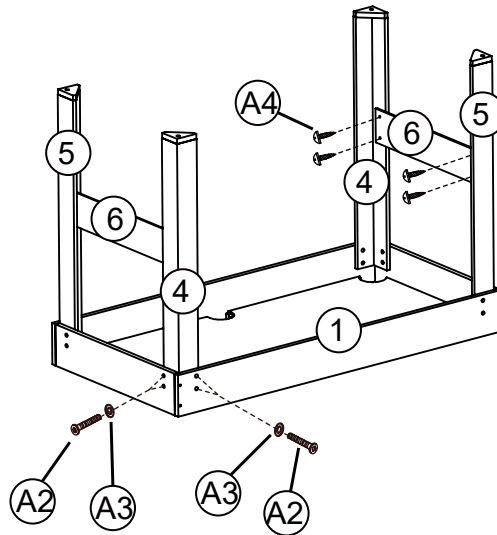


FIG.1

1. Attach the Legs (#4#5) to the Billiard Cabinet (#1) using four Bolts (A2) and four Washers (A3) per leg.
2. Attach the End Leg Braces(#6)to the Legs Using four screws (A4) per End Leg Brace.

FIG. 2

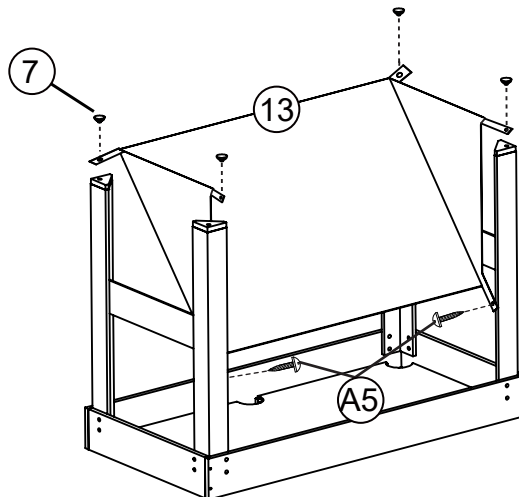


FIG.2

3. Attach the Soccer Net(#13)to the Legs using four Leg Levelers(#7) and two screws(A5).

FIG. 3

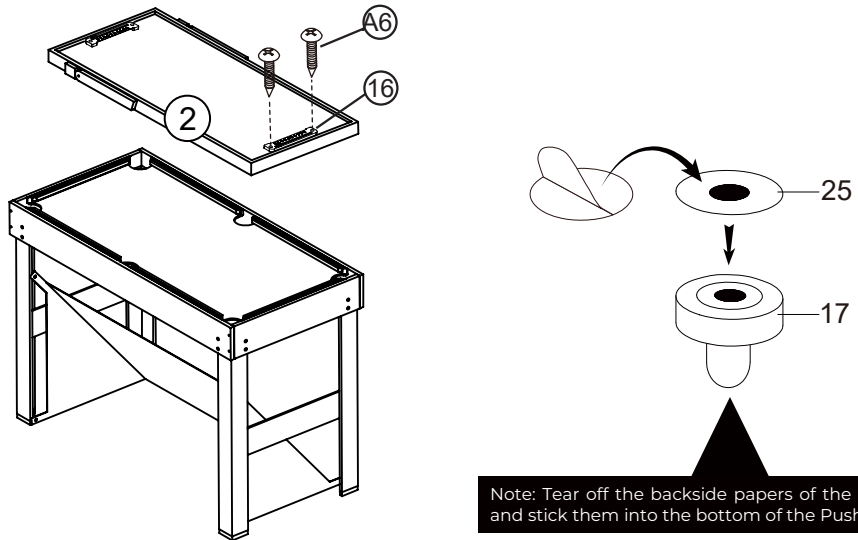


FIG.3

7. Attach the Goal Scorer(#16) to the Hockey Table (#2) using two Screws (#A6) per Goal Scorer.

FIG. 4

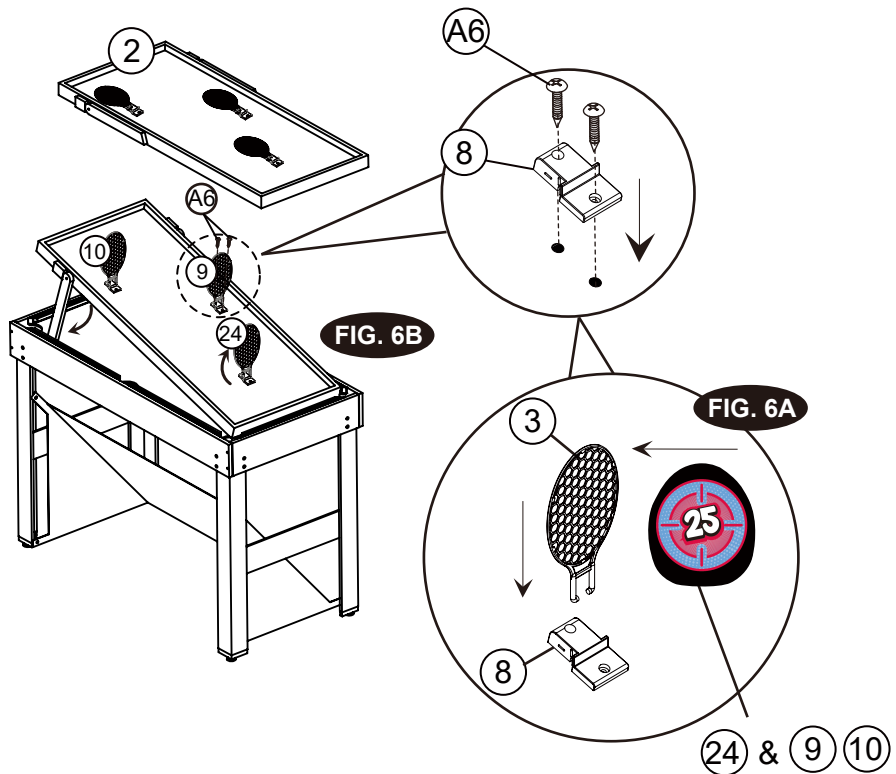


FIG.4

8. Attach Targets A (#24), B(#9) and C (#10) to the Target Boards (#3). Then secure Target Boards to the Target Base (#8) and fix to the Target Shooting Table (#2) using two Screws (#A6) per base. Please use the pre-drilled holes as shown in **FIG. 6B**.

DIRECTIONS FOR PLAYING VARIOUS GAMES

1. Pool: Use Billiard balls(#20), Triangle(#21) and Cues(#22) to play the game on pool playfield.
2. Pusher Hockey: Put Hockey and Target Shooting Table(#2) on pool playfield or other tables, then use Hockey Pushers(#17) and Hockey Puck(#18) to play on hockey playfield.
3. Target shooter: Unfold the legs on Hockey and Target Shooting Table(#2) and put on pool playfield or other flat place. Unfold all targets and use Blaster(#11) to shoot Foam Darts(#12) against the targets.

Note: Before shooting, please pull back the orange cover first.



4. Football: Kick the Football(#14) against the Soccer Net(#13) between table legs.