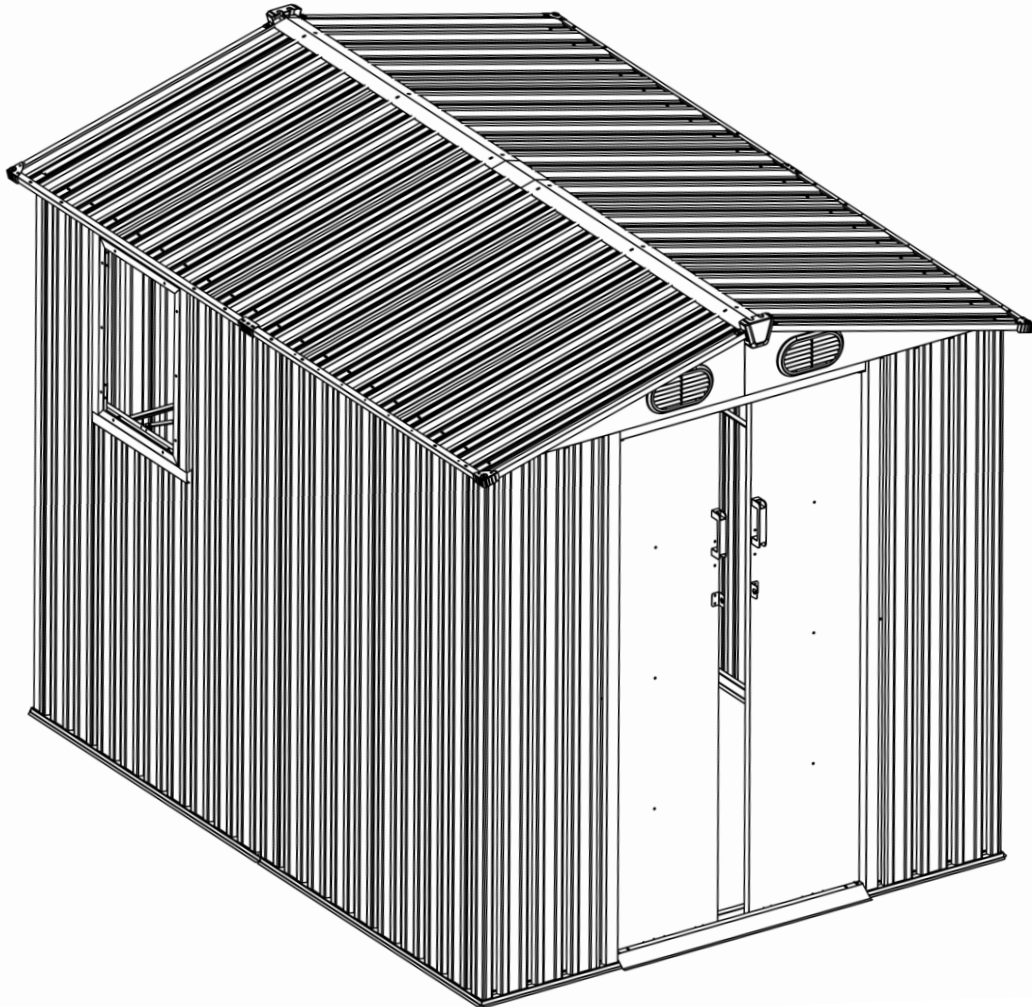


# 6\*8ft Garden Metal Storage Shed Installation Instructions



**Thank you for choosing us!**

Our goal is to provide high quality outdoor furniture with outstanding customer service all at an affordable price.

Please let us know if you have any concerns.

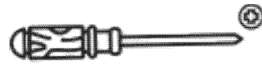
Please wear gloves to avoid injury!

**The product comes in two cartons. Please install after receiving all cartons.**

Please prepare below tools before installation. (Not Included)



Electric Screwdriver



+ Manual Screwdriver



Ladder



Spanner

#### Package included Tools



Gloves X 1 Pair

## ATTENTION:

1. Please read this instruction carefully before installation and follow it strictly during installation.
2. Ensure that there are no problems later due to installation errors.
3. We have prepared extra screws for you to use in case of loss or damage.

## Installation Notes

Please check the quantity of all parts before installation (refer to the Parts Lists) and the appearance of the products. Make sure the product is correct before installation.

Make sure the colored panels are facing outwards and all the holes match. The panels are textured, please install the panels in the order specified in the instructions. All lines and holes should be matched to make the storage shed more stable. Please ensure that all screws are tightened to prevent the product from falling apart.

There is a protective film on the surface to protect the product, you can tear it off after installation. If you do not damage the film during installation, it can also remain on the product to protect.

Please place the product on a flat ground to prevent leaning and collapse. If the ground is uneven, the door may can't be closed.



## Safety Precautions

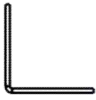



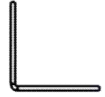






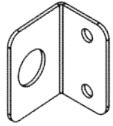

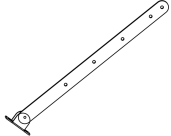
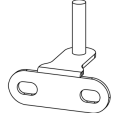
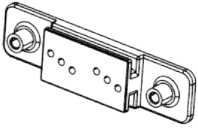



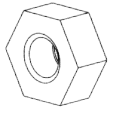
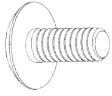
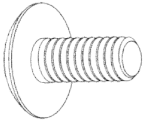

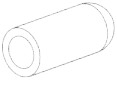
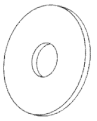
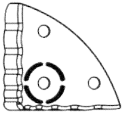
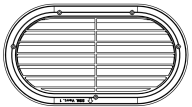



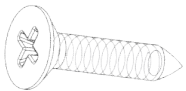

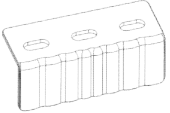
We recommend **two adults** to complete the installation. Two adults installed together will make the installation process easier and safer.

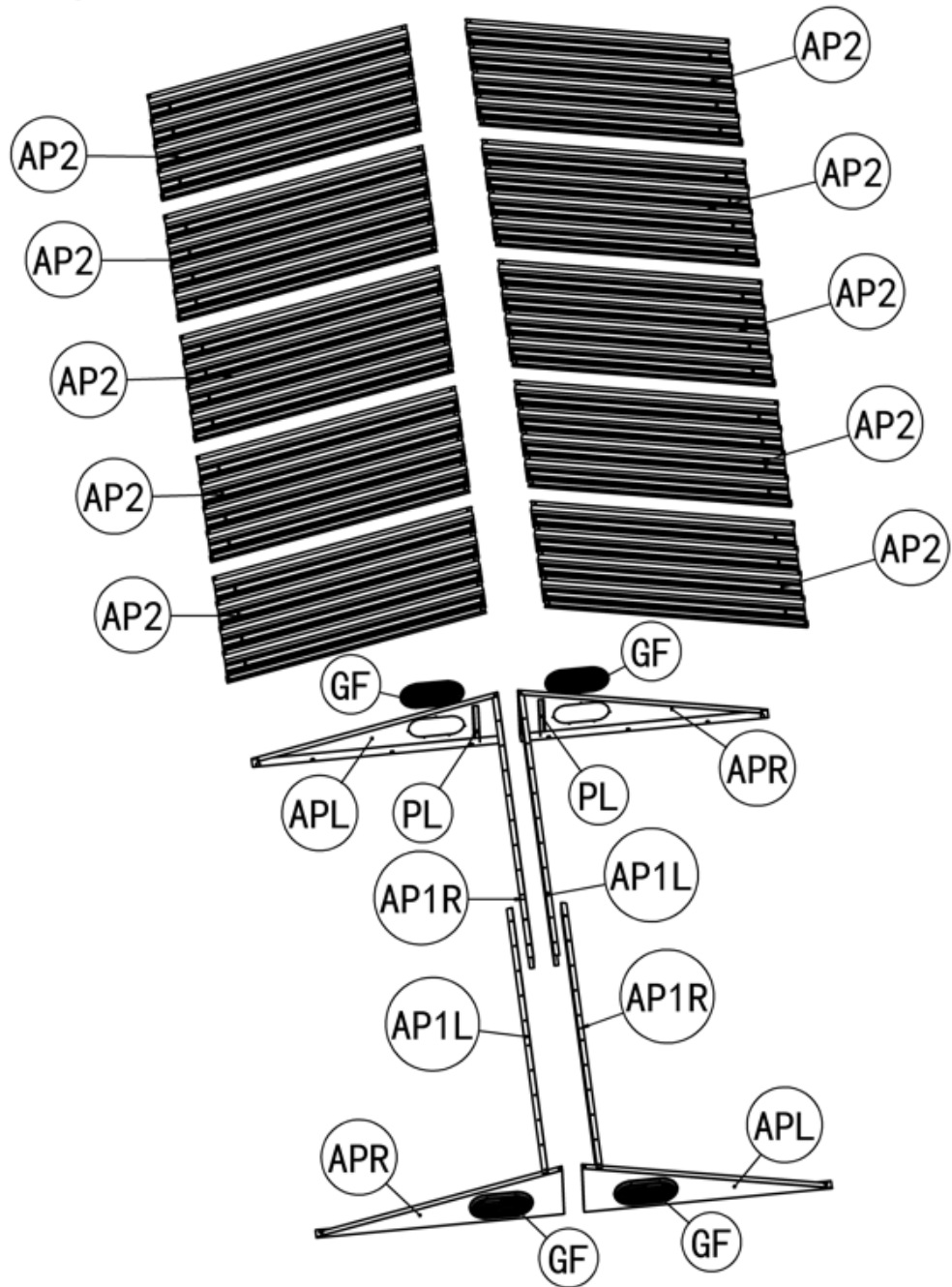
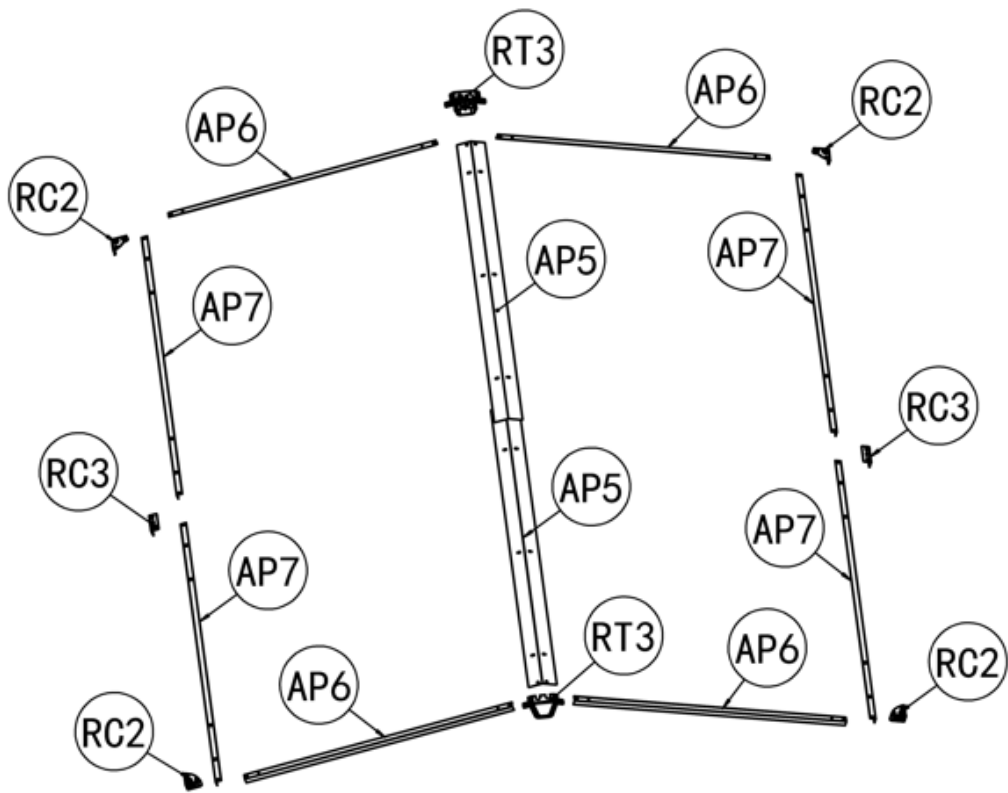
The gloves must be carried to prevent hand cuts during installation.

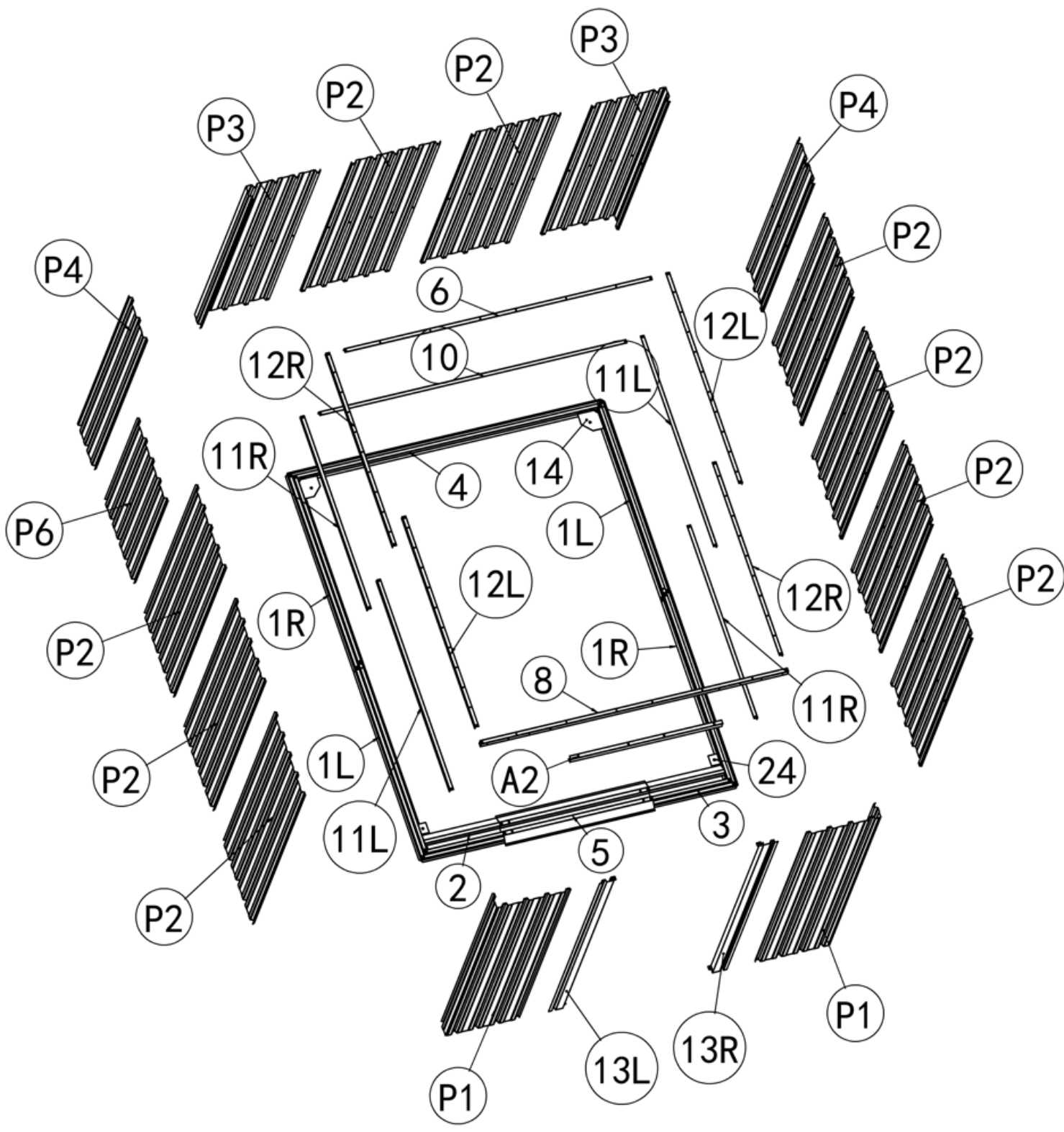
Take care when using power tools near water the use of a residual current device (RCD) is advised. Please use the electric driver carefully during screwing to prevent the screw from slipping and hurting your hand. (We recommend that beginners use a manual screwdriver for installation.) Be careful not to fall when installing the roof. Please steady the ladder and make sure the product placed on a flat ground.

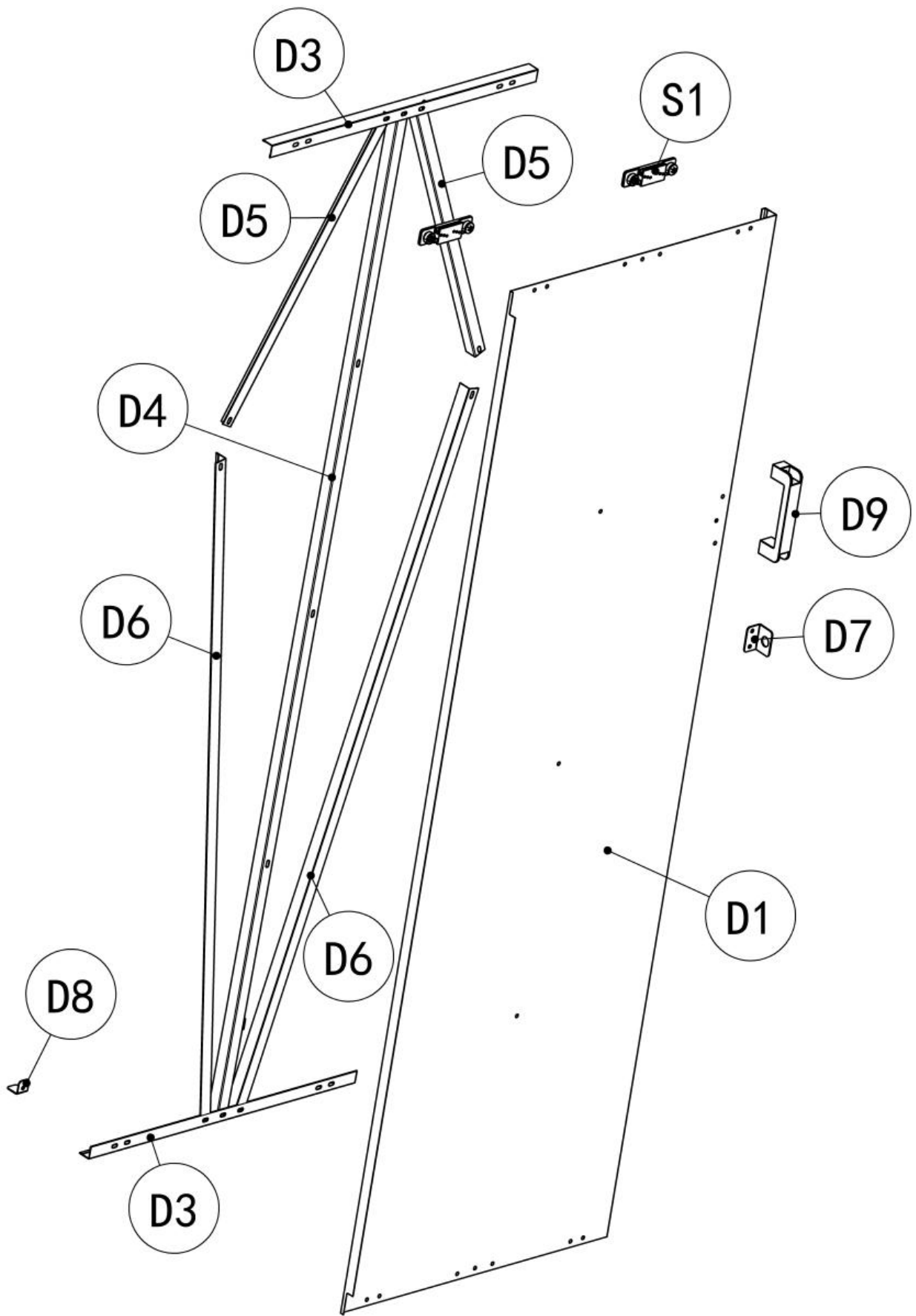
**PLEASE KEEP THIS INSTRUCTION FOR FUTURE REFERENC**

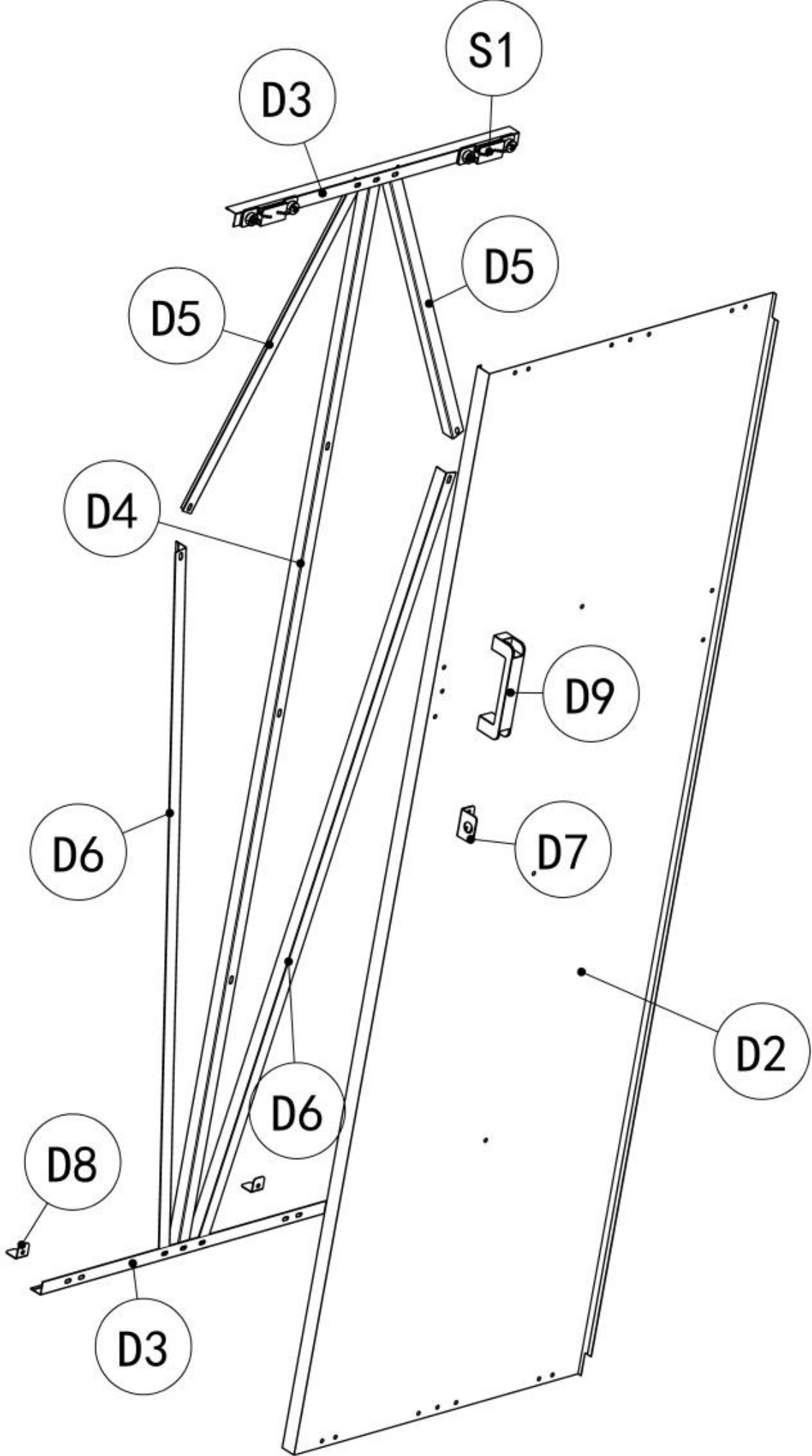
1L	2	1R	2	4	1	2	1	3	1
5	1	P1	2	P2	9	P3	2	P4	2
P6	1	13R	1	13L	1	A2	1	8	1
C1	1	C2	1	10	1	12L	2	6	1
C6	2	C7	1	11L	2	14	2	24	2
APR	2	PL	4	C3	2	C4	8	C5	1
AP2	10	AP5	2	C8	1	AP1L	2	APL	2

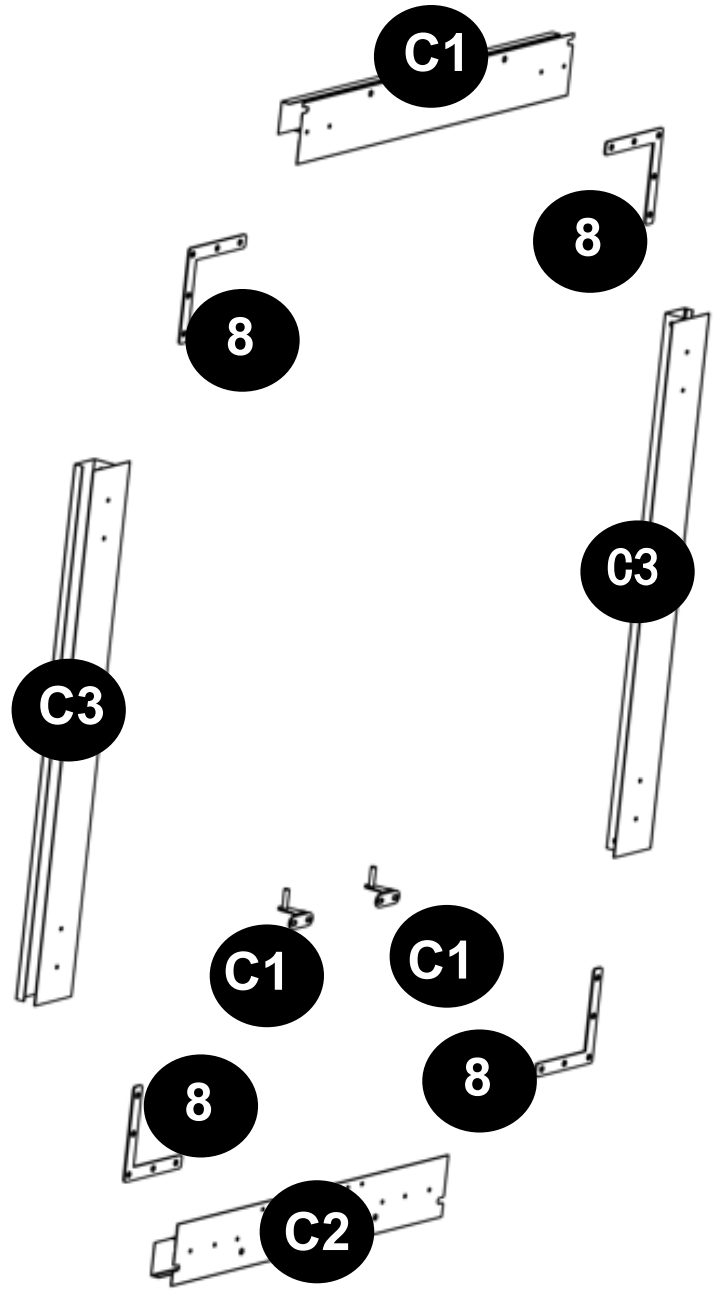
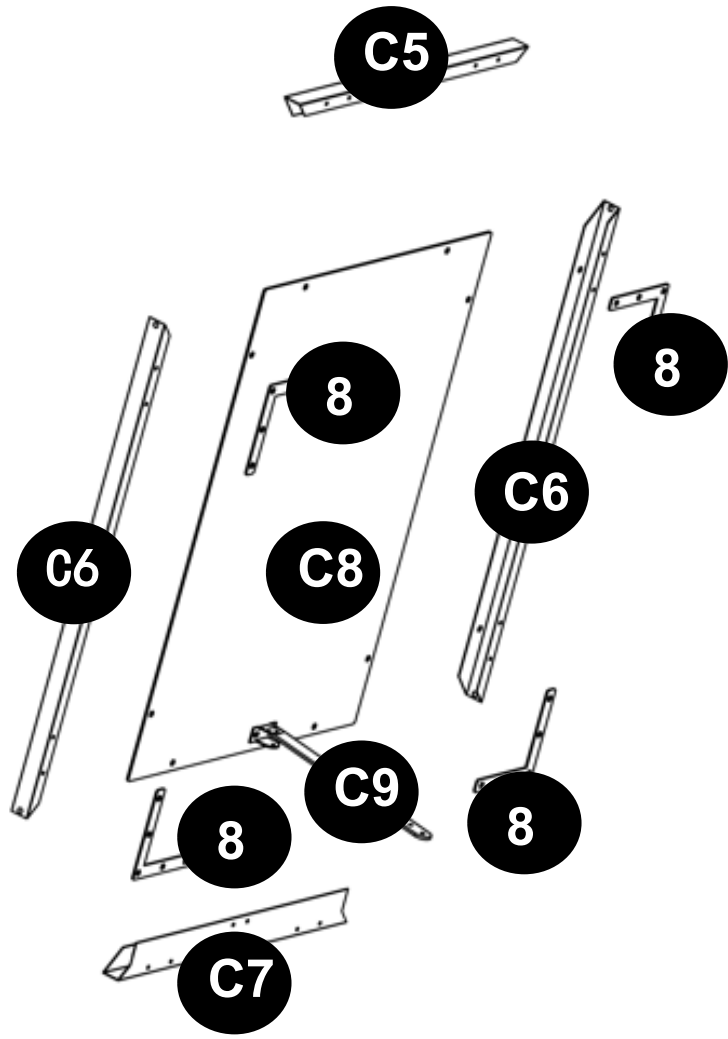
									
AP7	4	AP1R	2	11R	2	12R	2	AP6	4
									
D1	1	D2	1	D3	4	D4	2	D5	4
									
D6	4	D7	2	D8	4	C9	1	C10	2
									
S1	4	S2	8	F4	20	F1	370	F6	48
									
F2	48	F12	4	F17	4	F8	138	F7	282
									
RC2	4	GF	4	RT3	2	F9	8	F10	8
									
F5	8	D9	2	RC3	2				






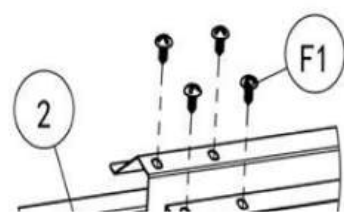
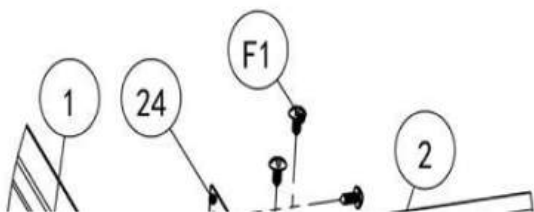
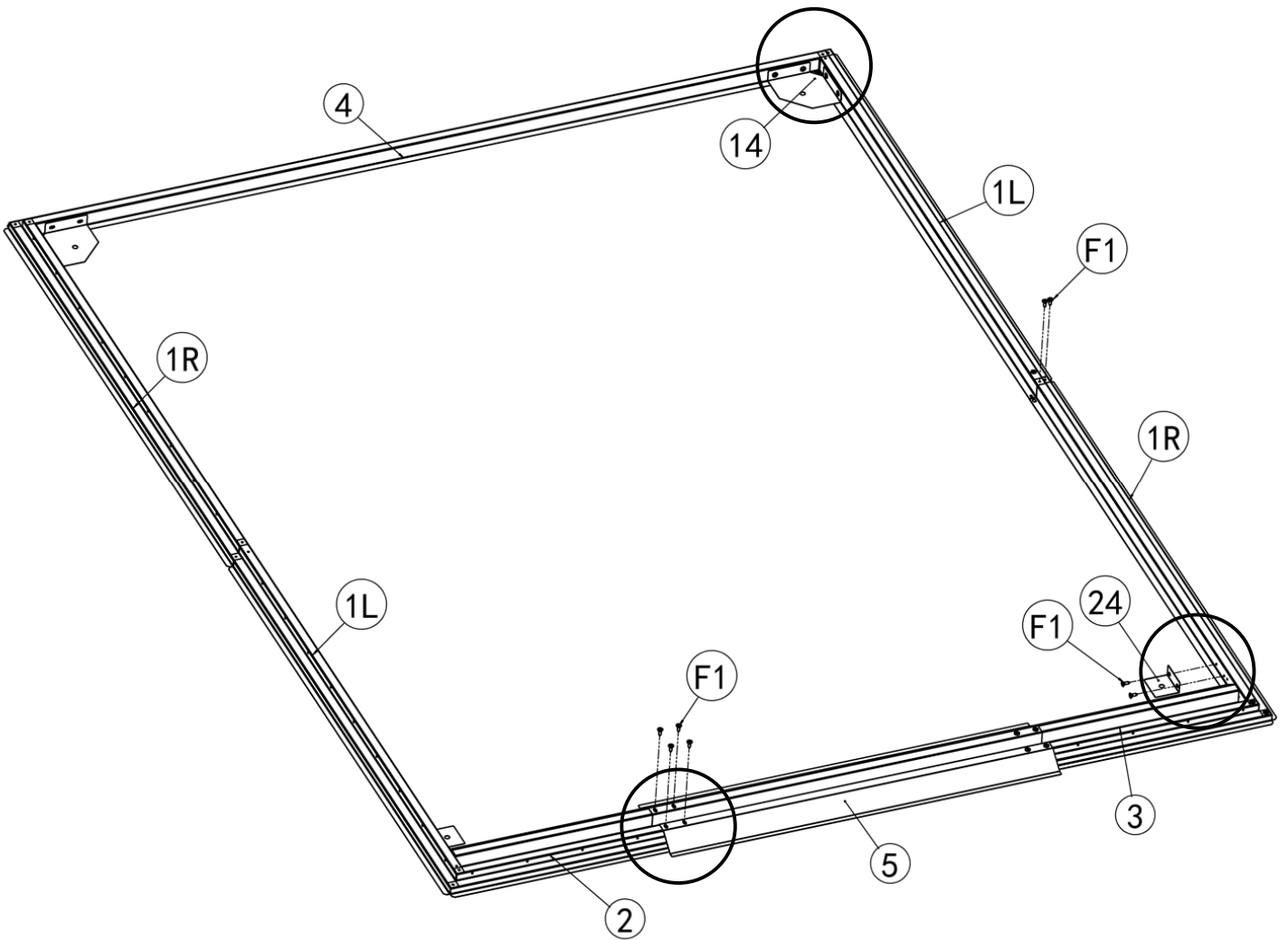
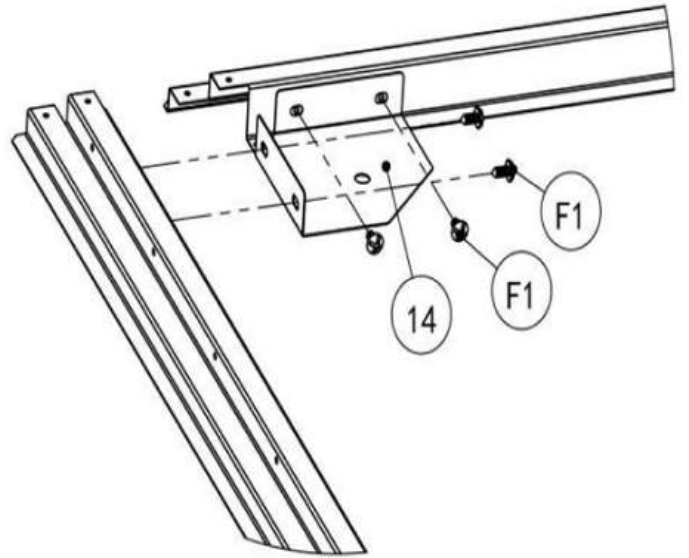








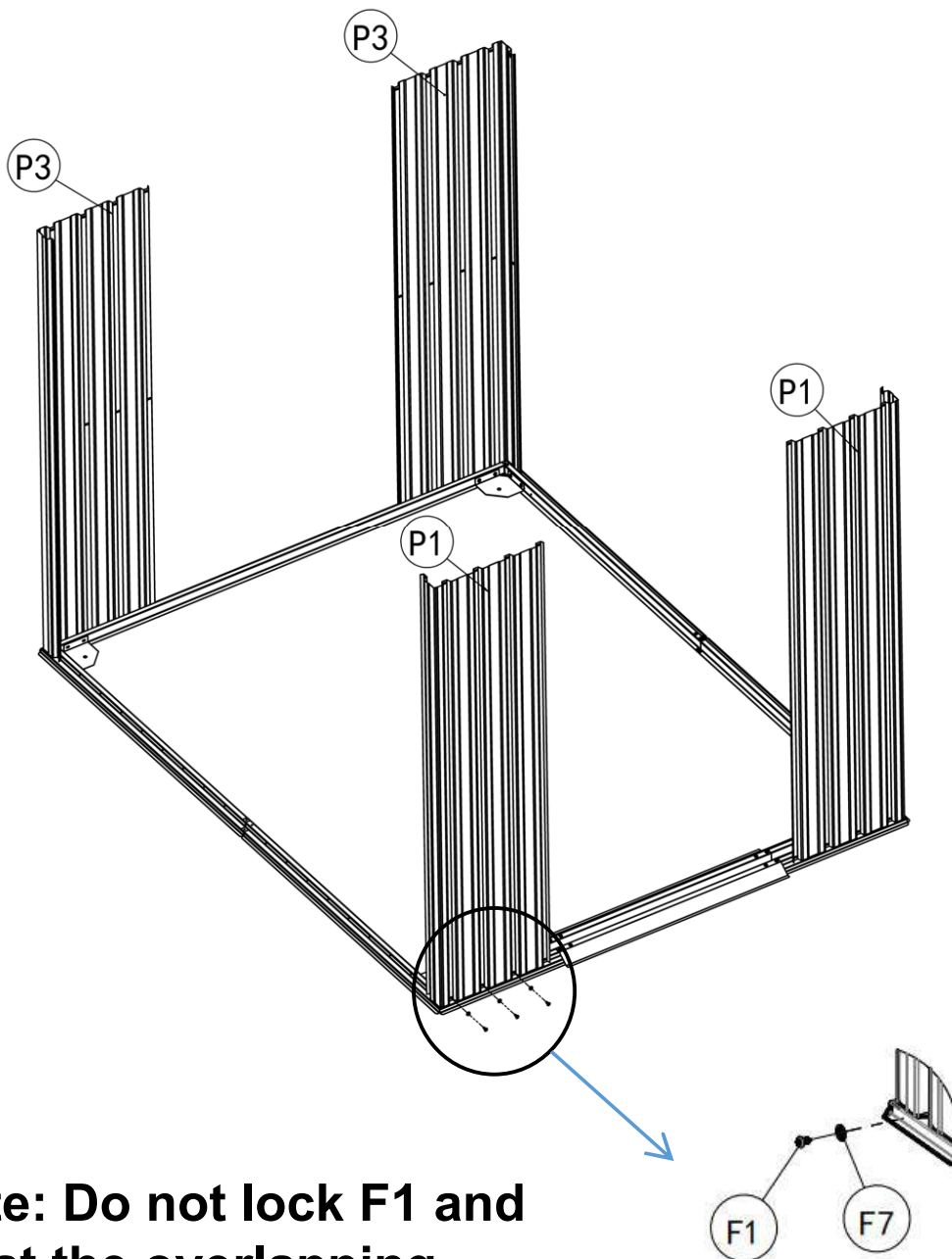
# 1. Base installation

<b>ST4.8X10</b>	
	
F1	24

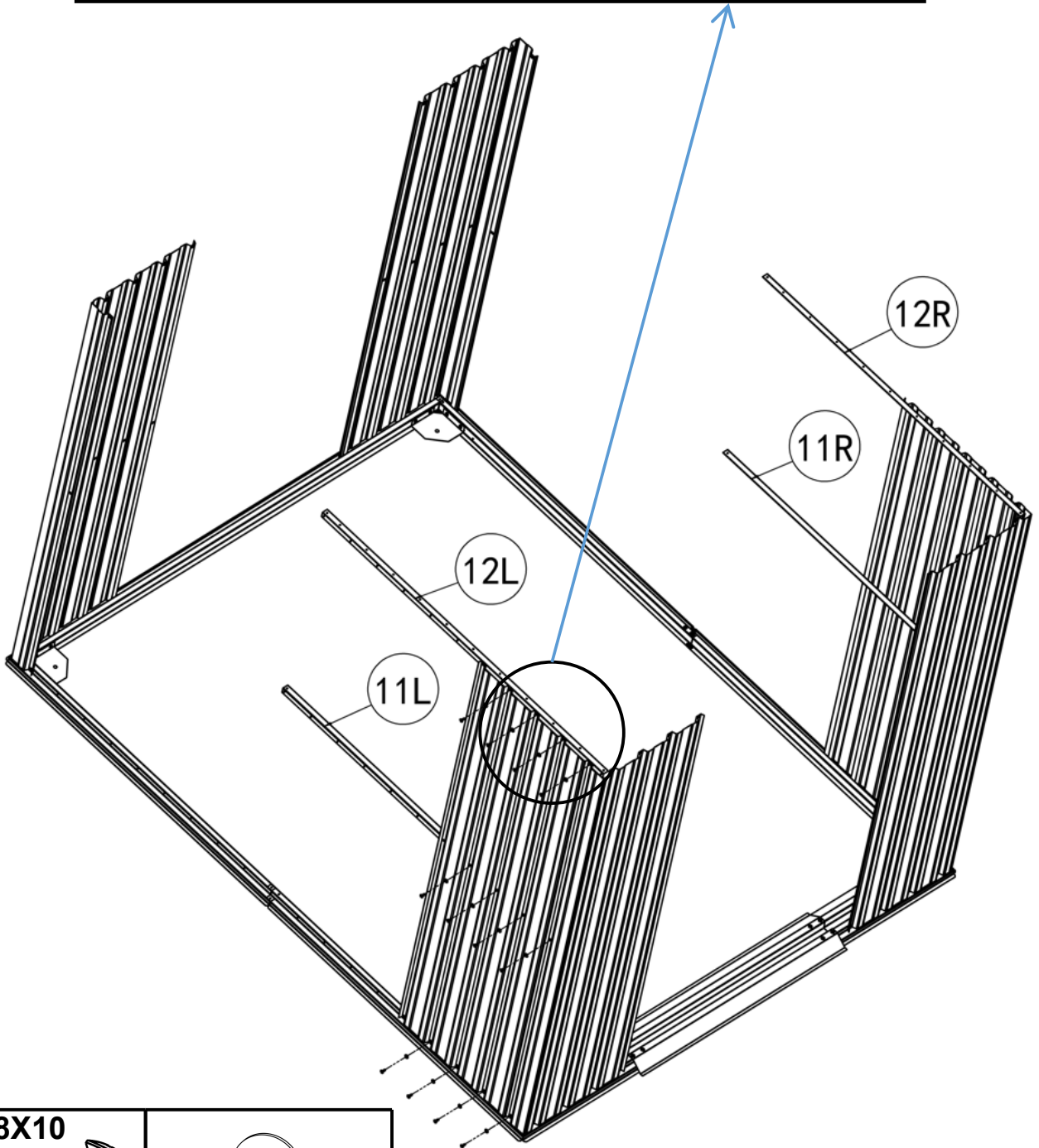
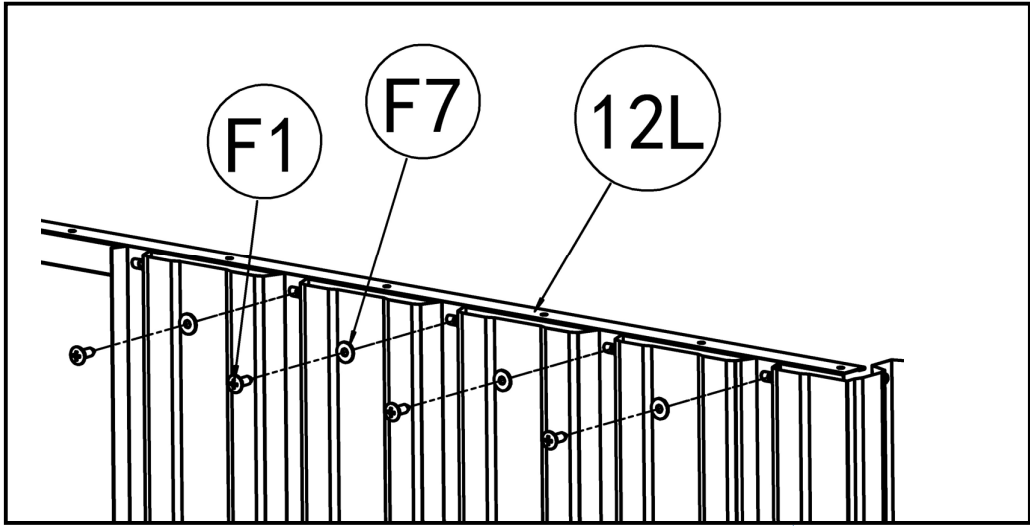



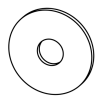
## 2.Wall installation

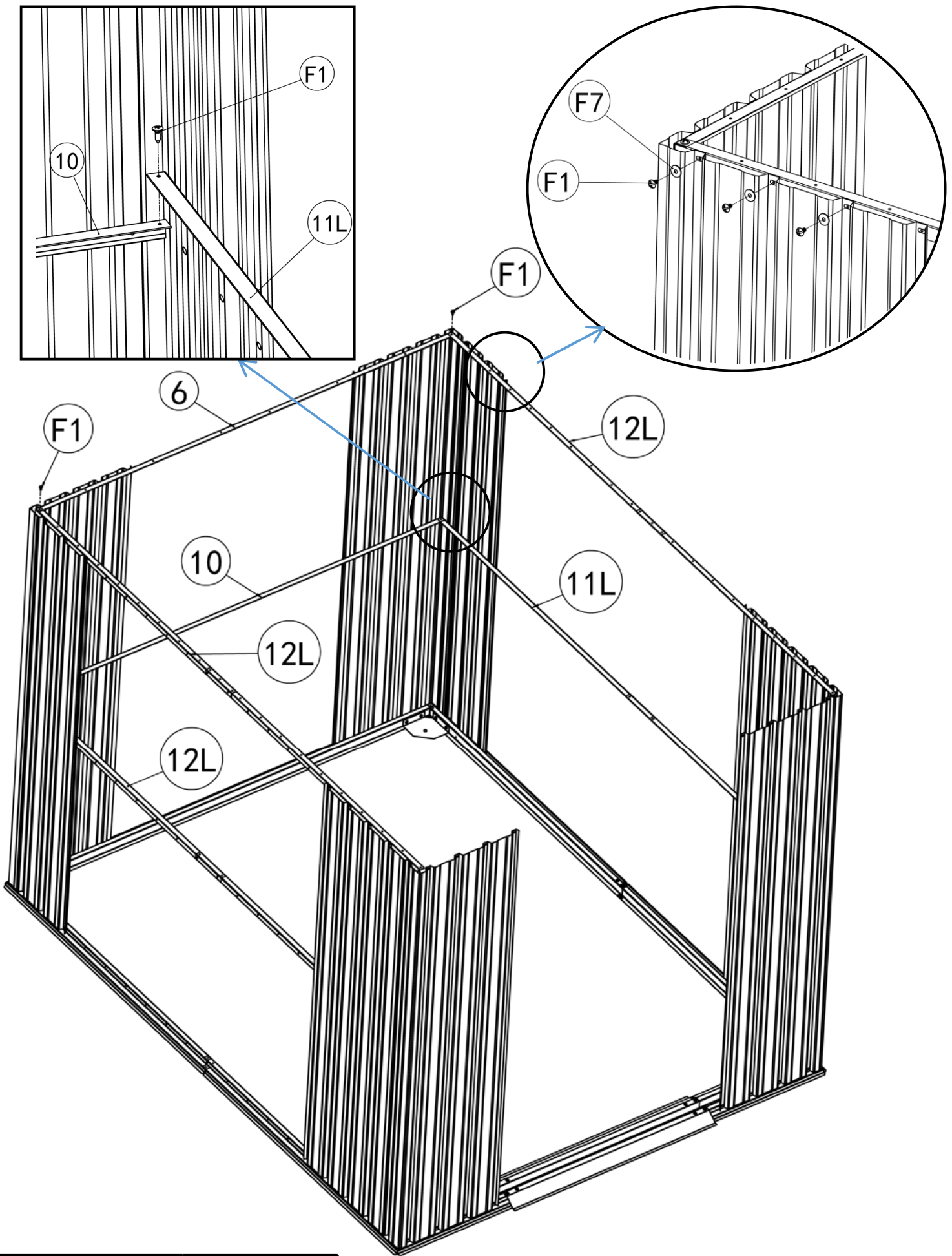
ST4.8X10 			
F1	12	F7	12





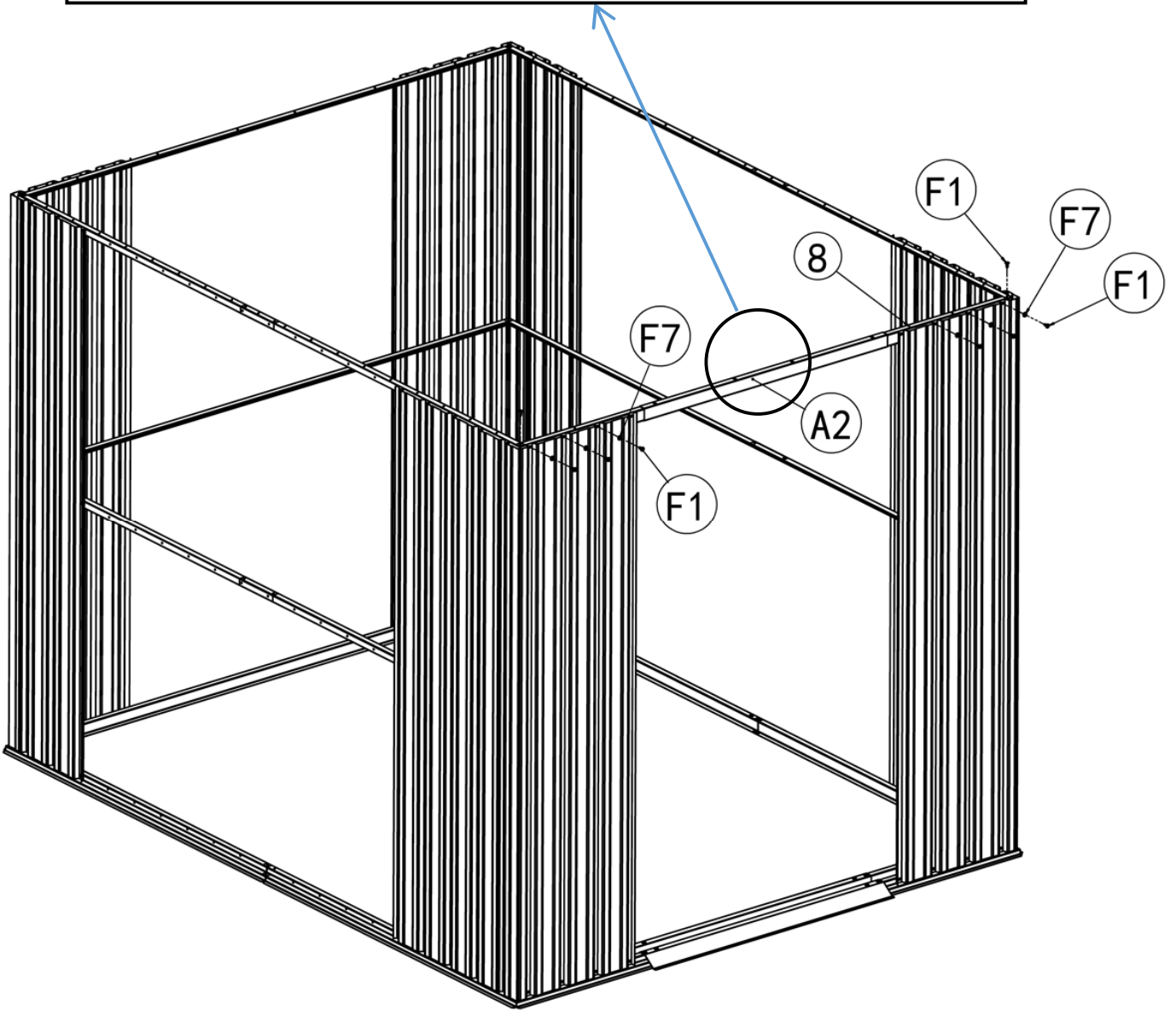
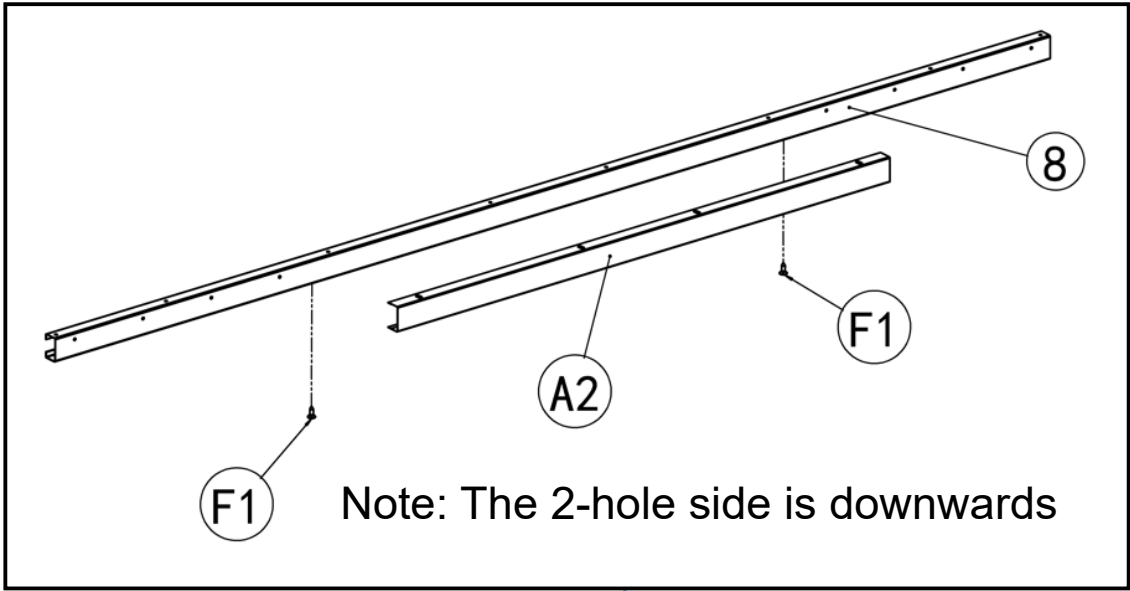
**Note: Do not lock F1 and F7 at the overlapping area of the tiles.**


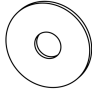


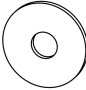

ST4.8X10			
			
F1	16	F7	16

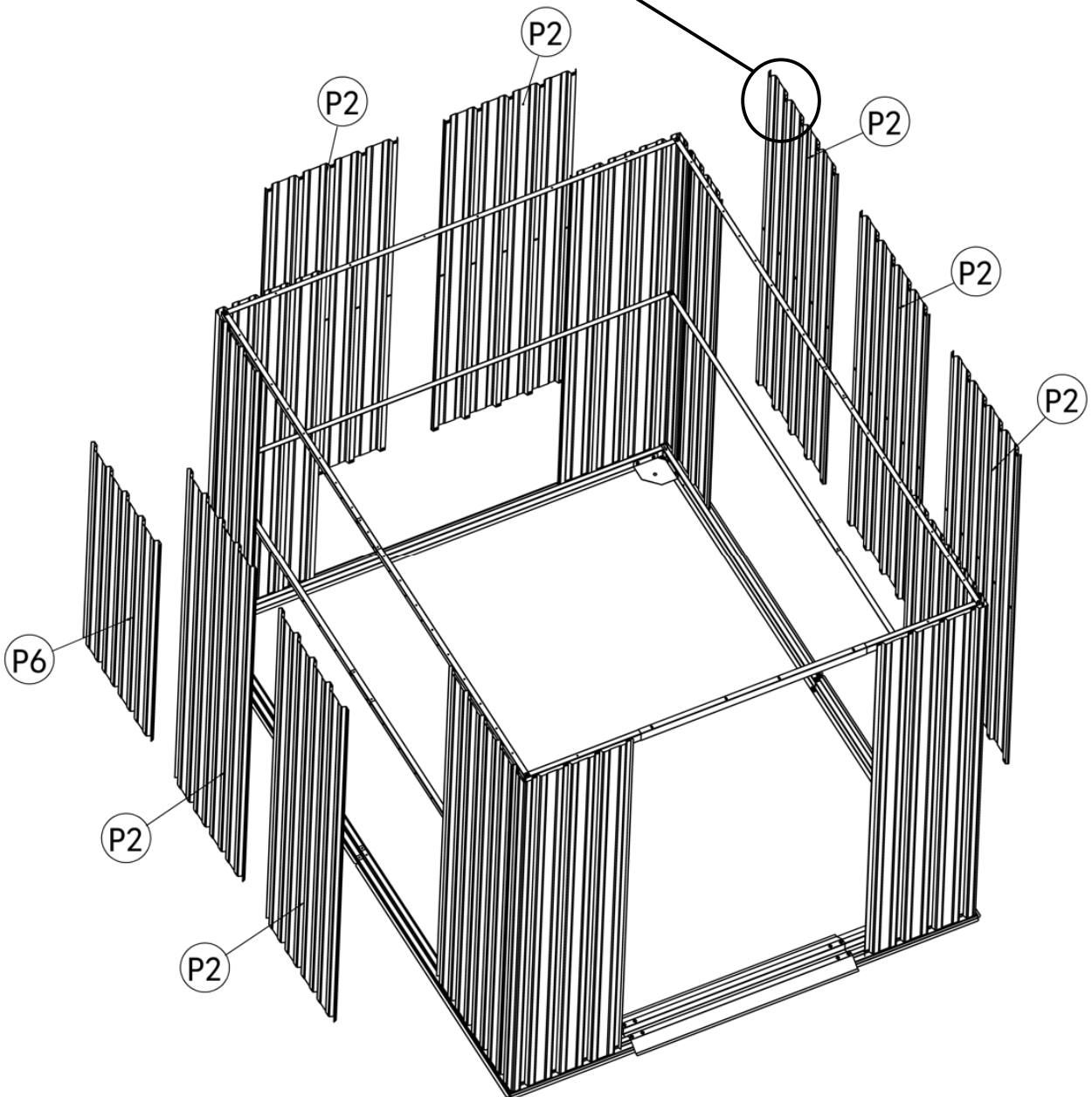
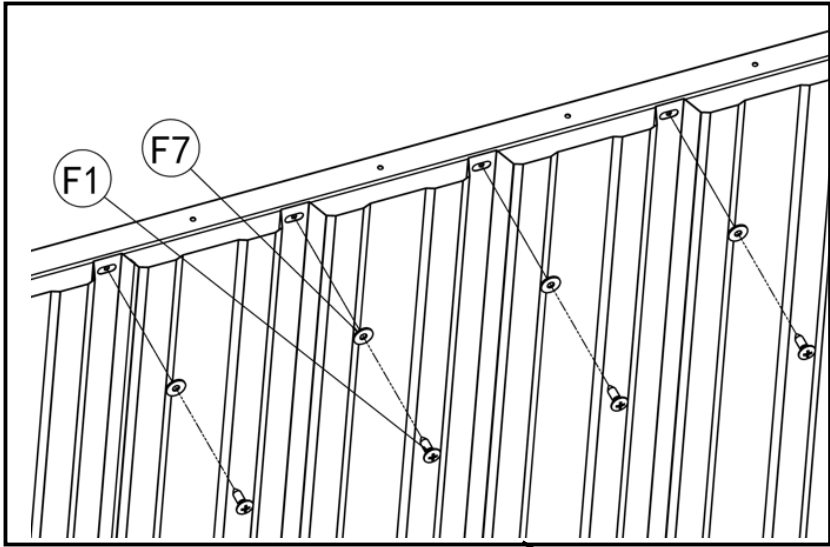


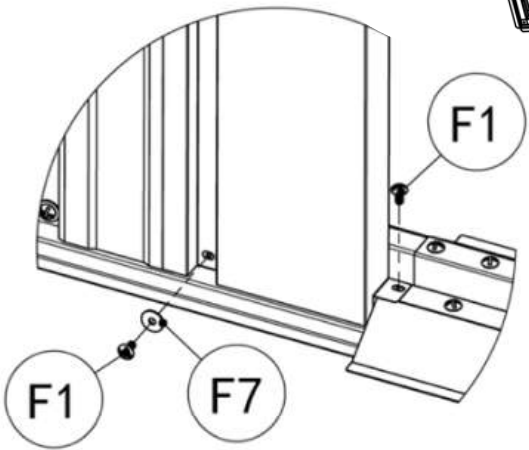
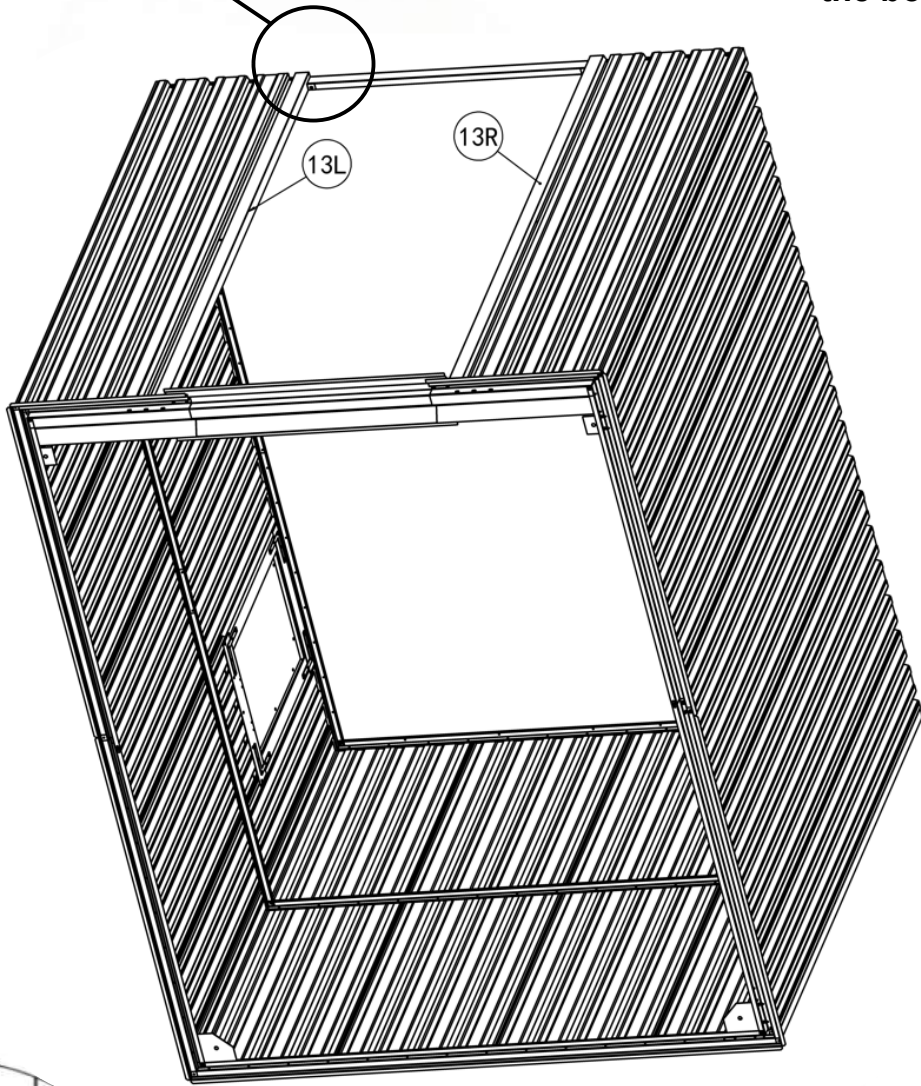
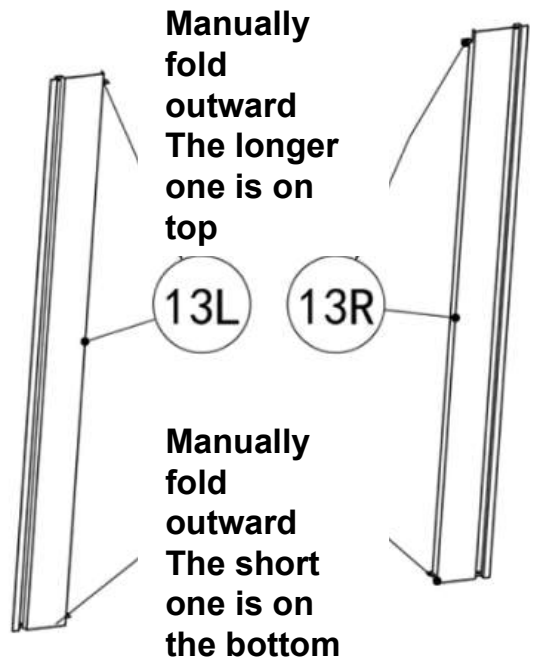
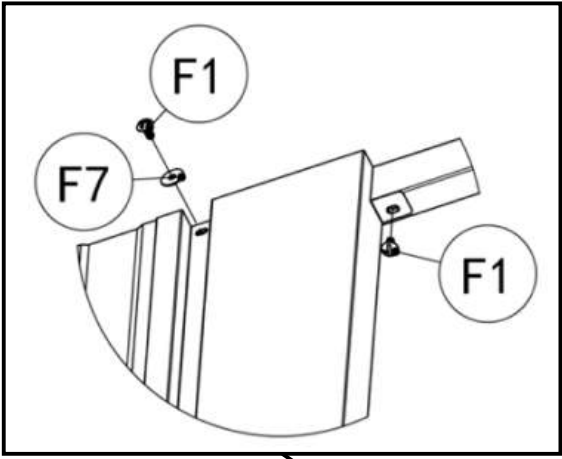
<b>ST4.8X10</b>			
			
F1	34	F7	30



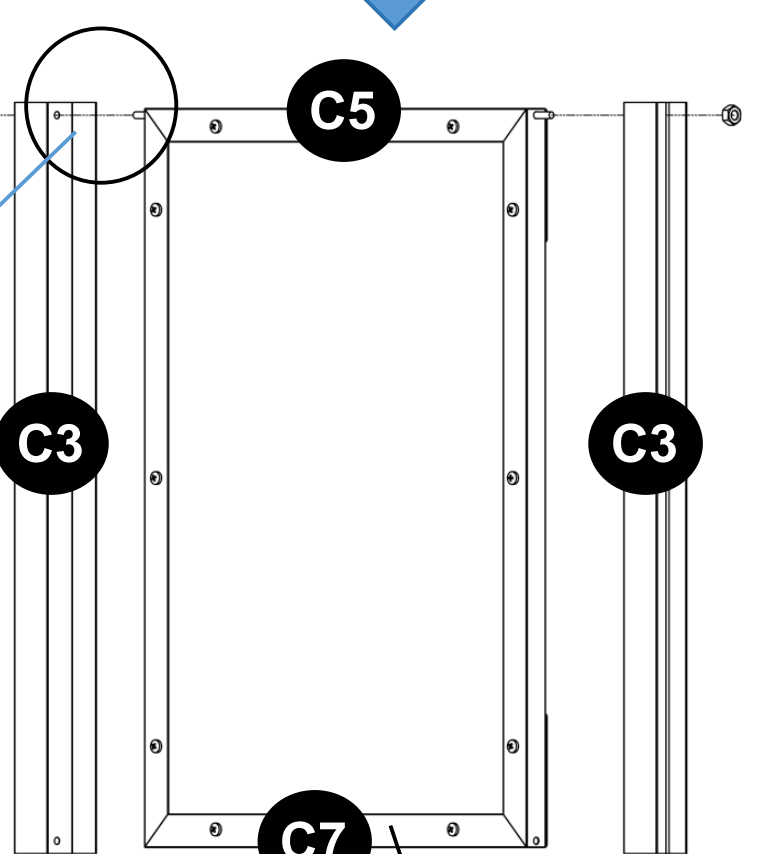
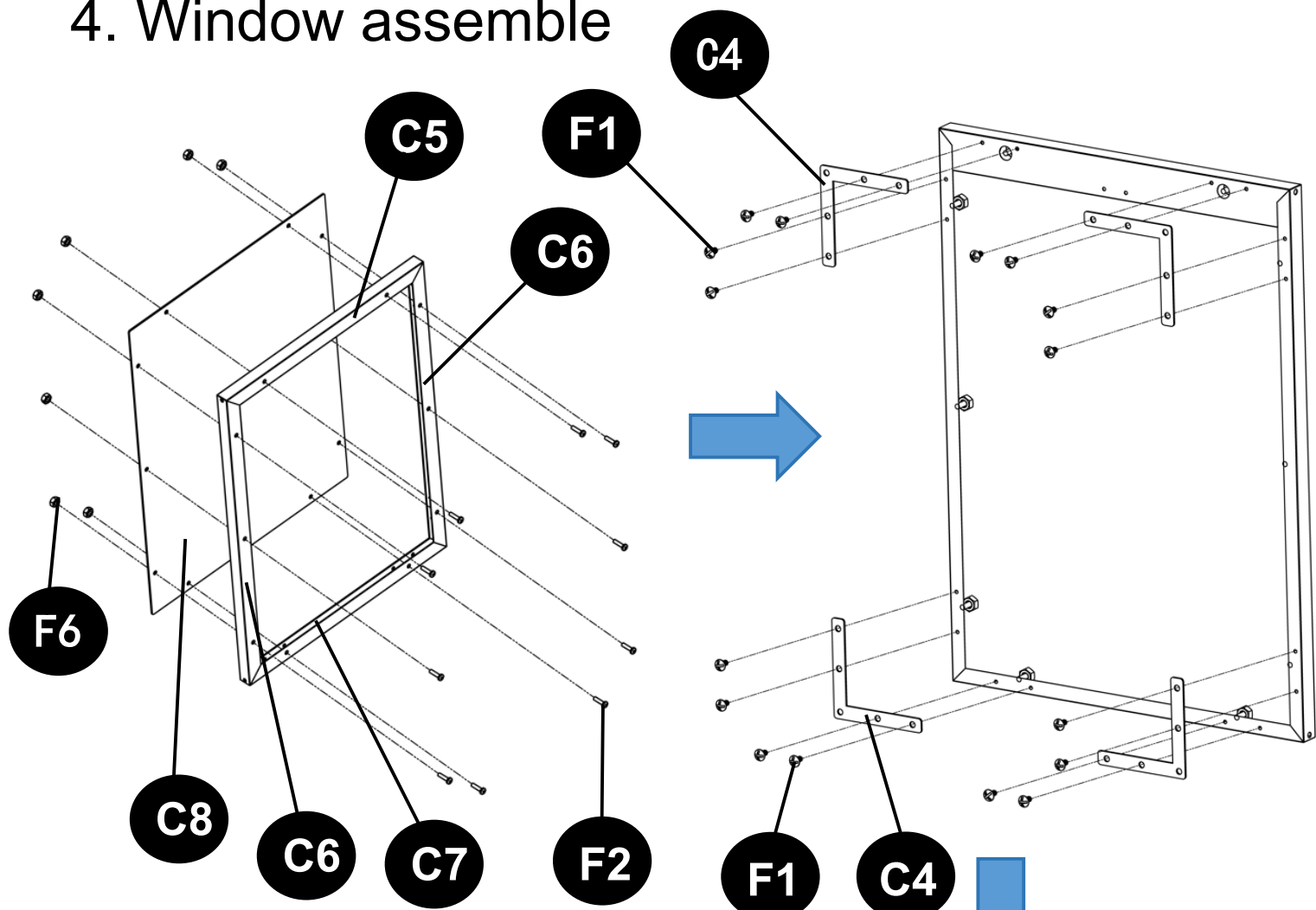
<b>ST4.8X10</b>			
			
F1	8	F7	6

<b>ST4.8X10</b>			
			
F1	128	F7	128

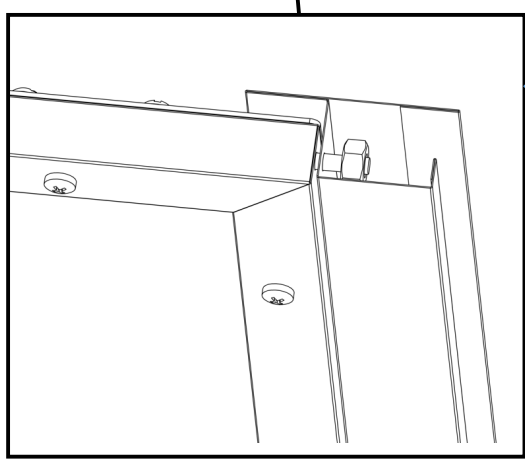




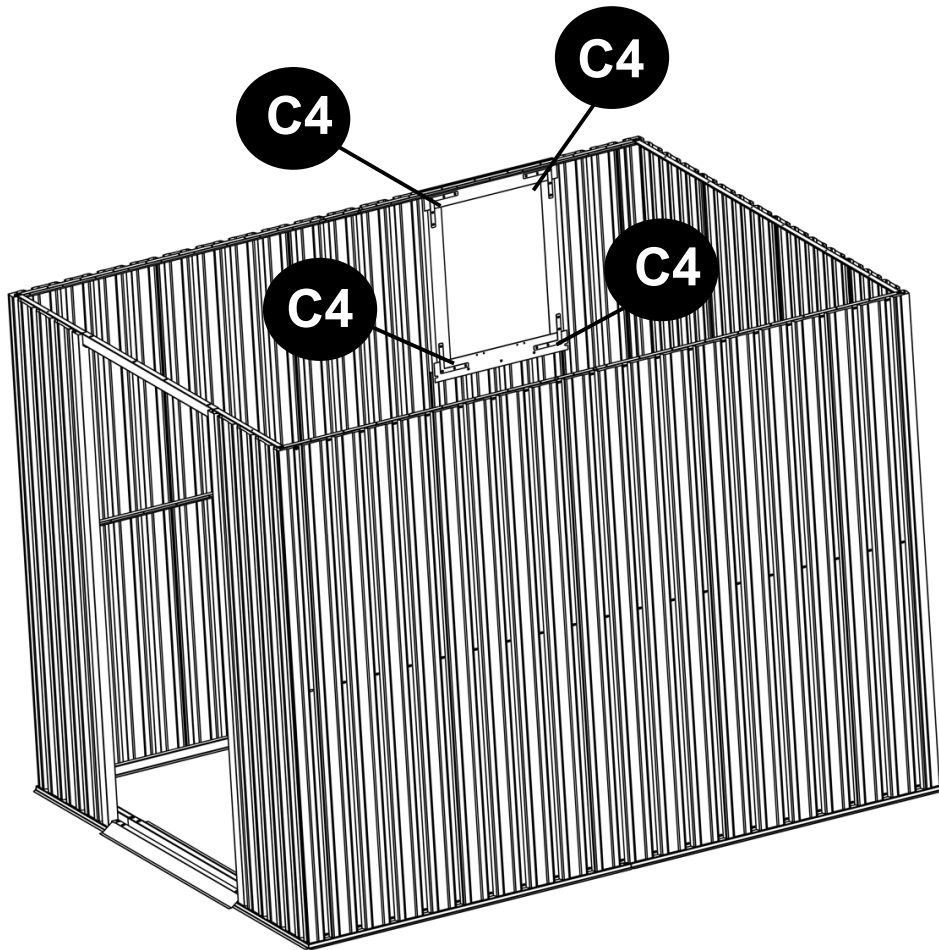
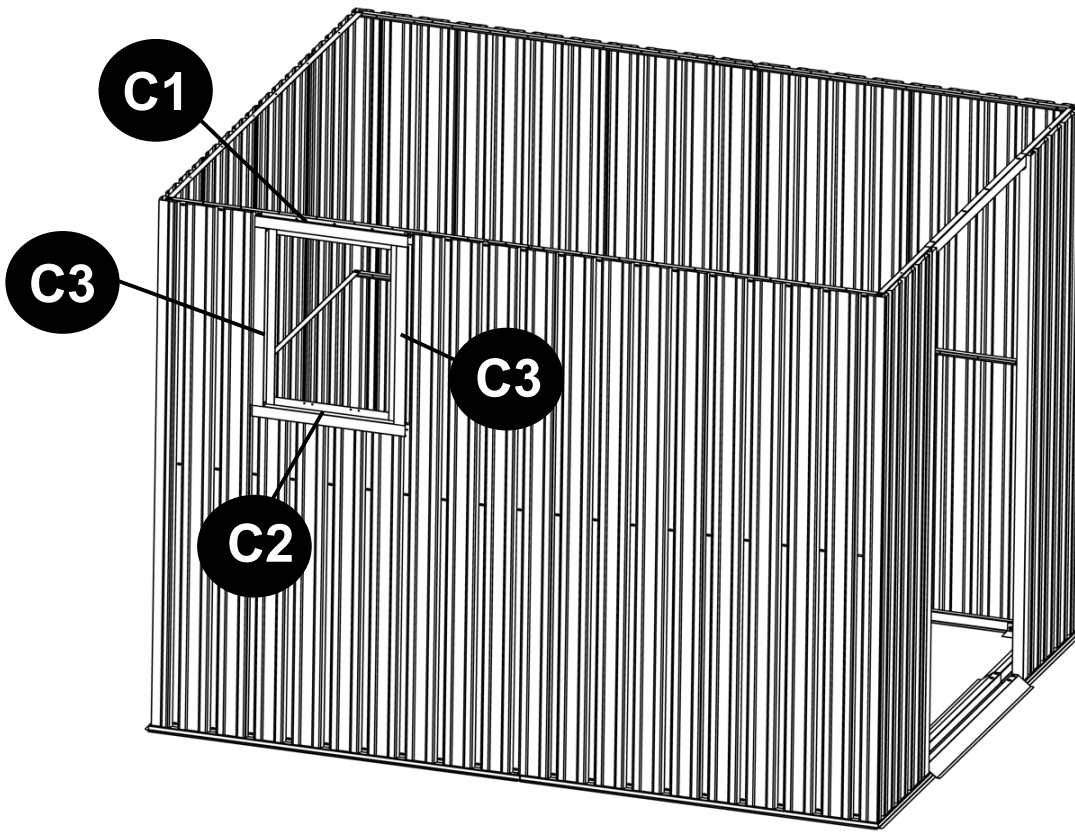
# 4. Window assemble

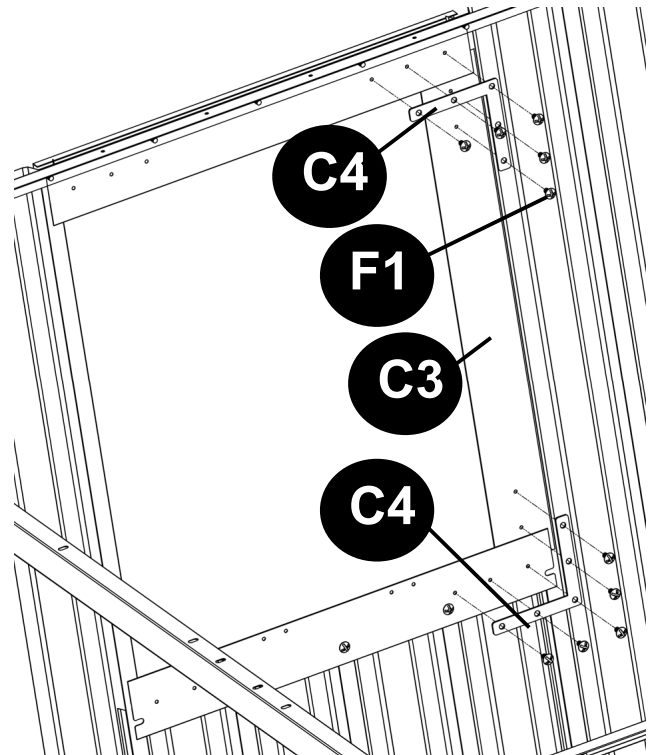
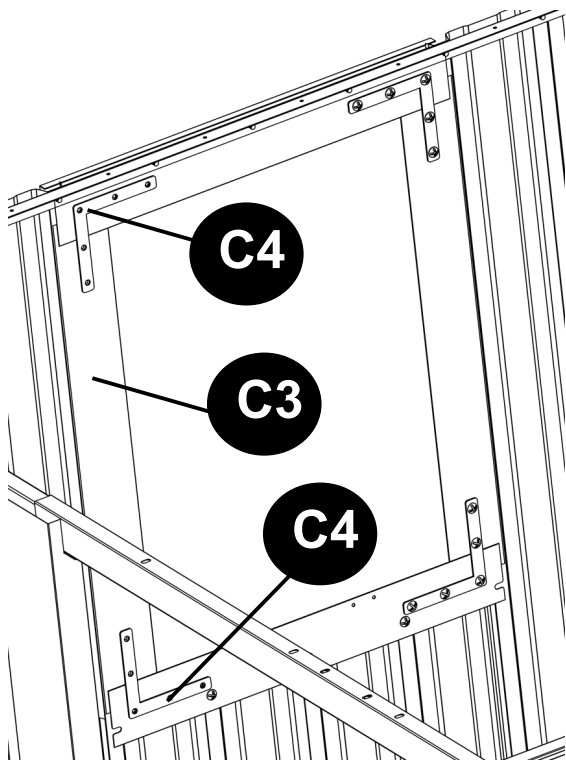
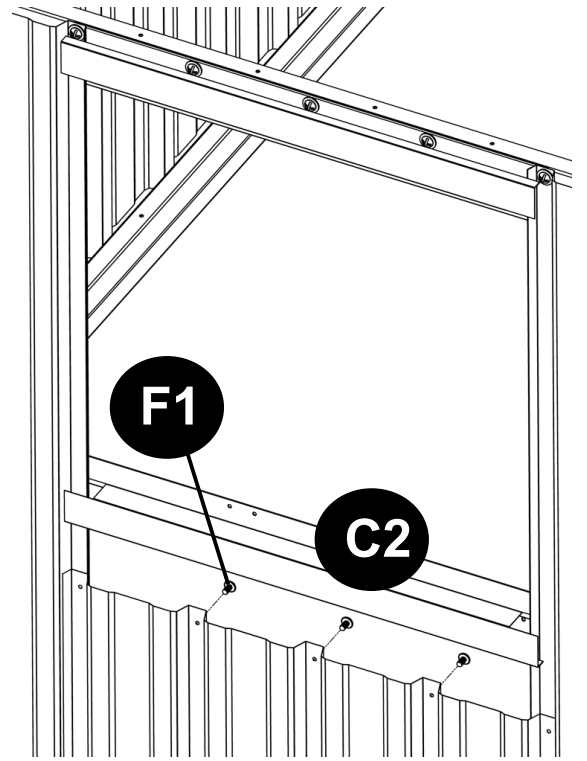
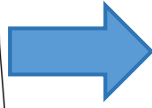
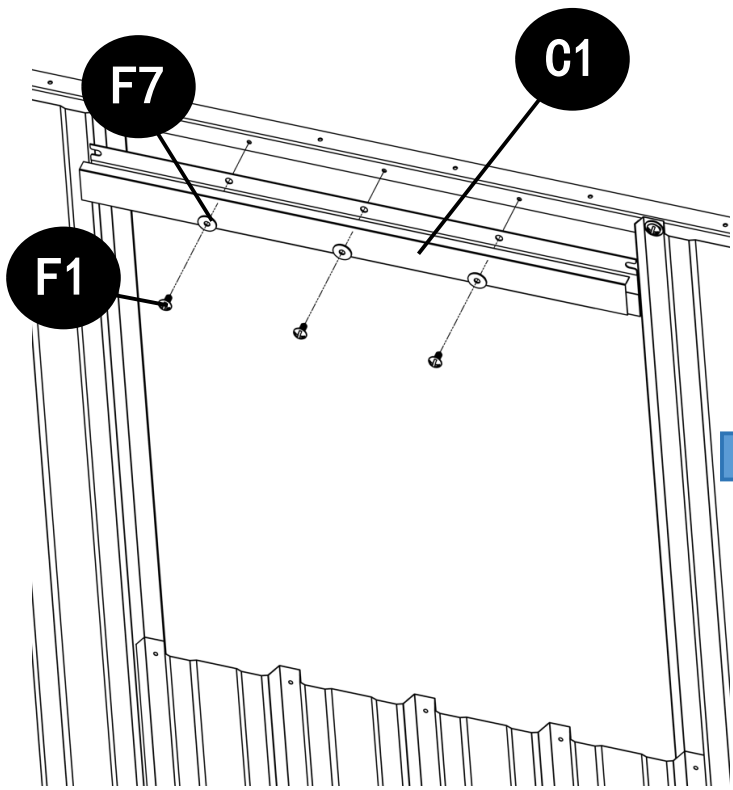


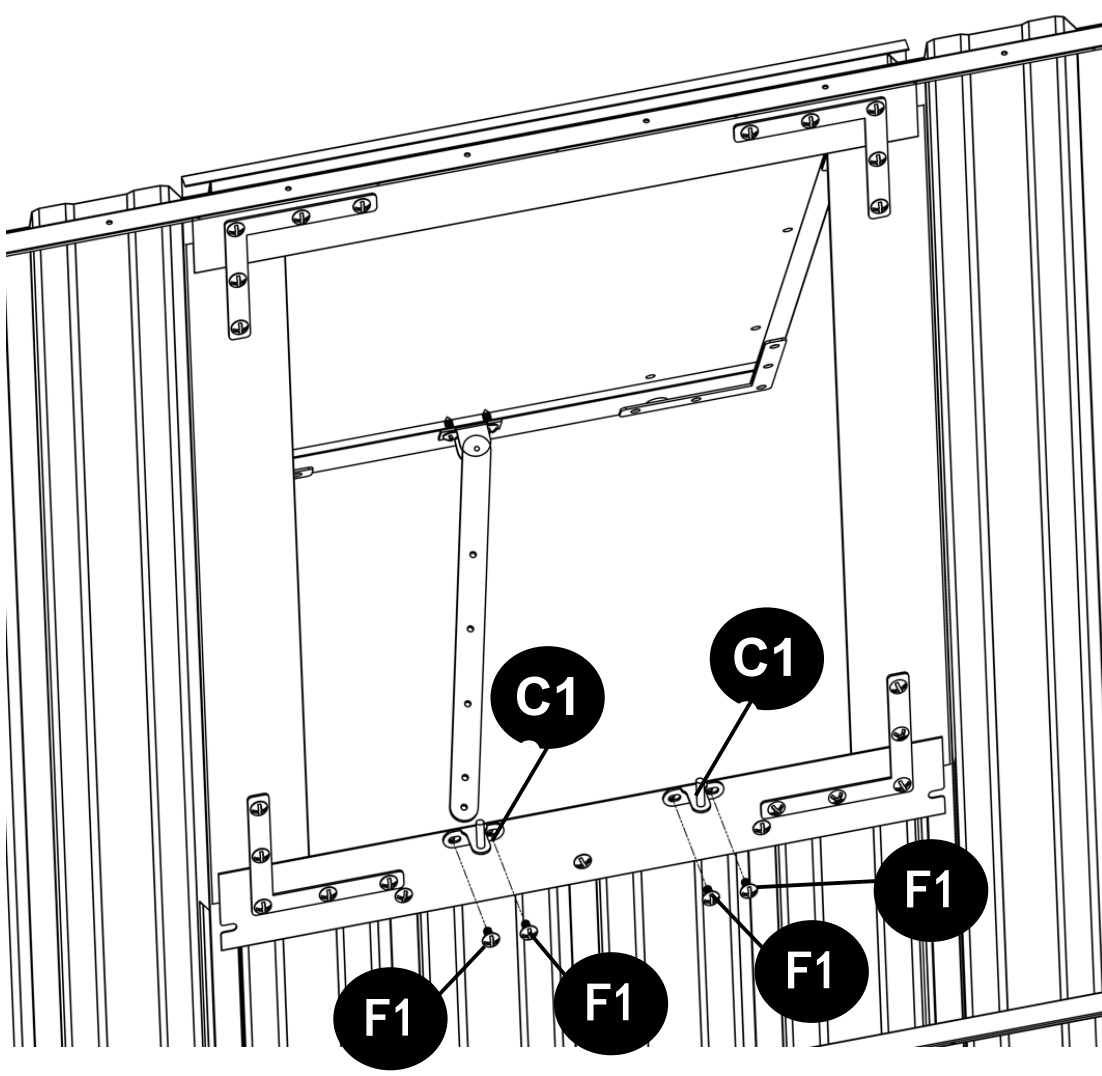
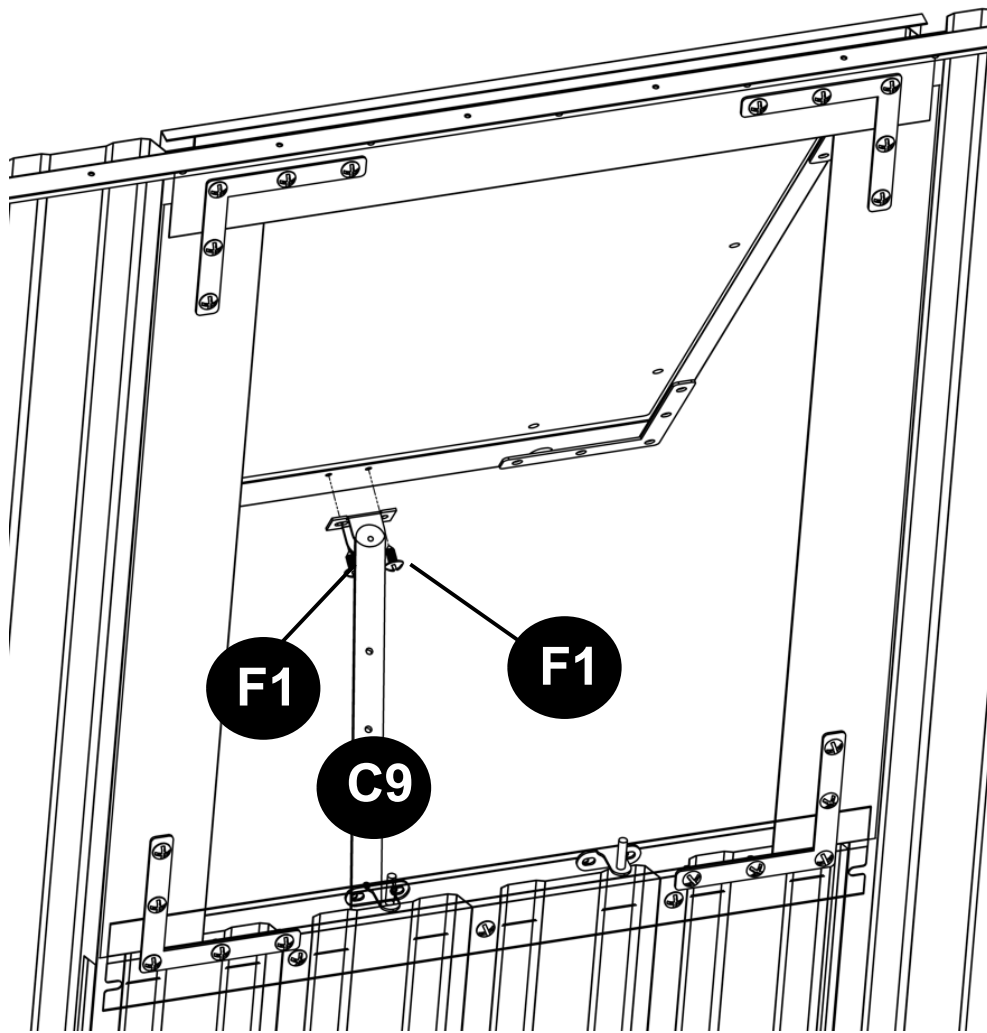
Lock bolts and nuts on both sides of the upper frame for half thread





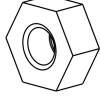
2 holes on the back for the lower frame

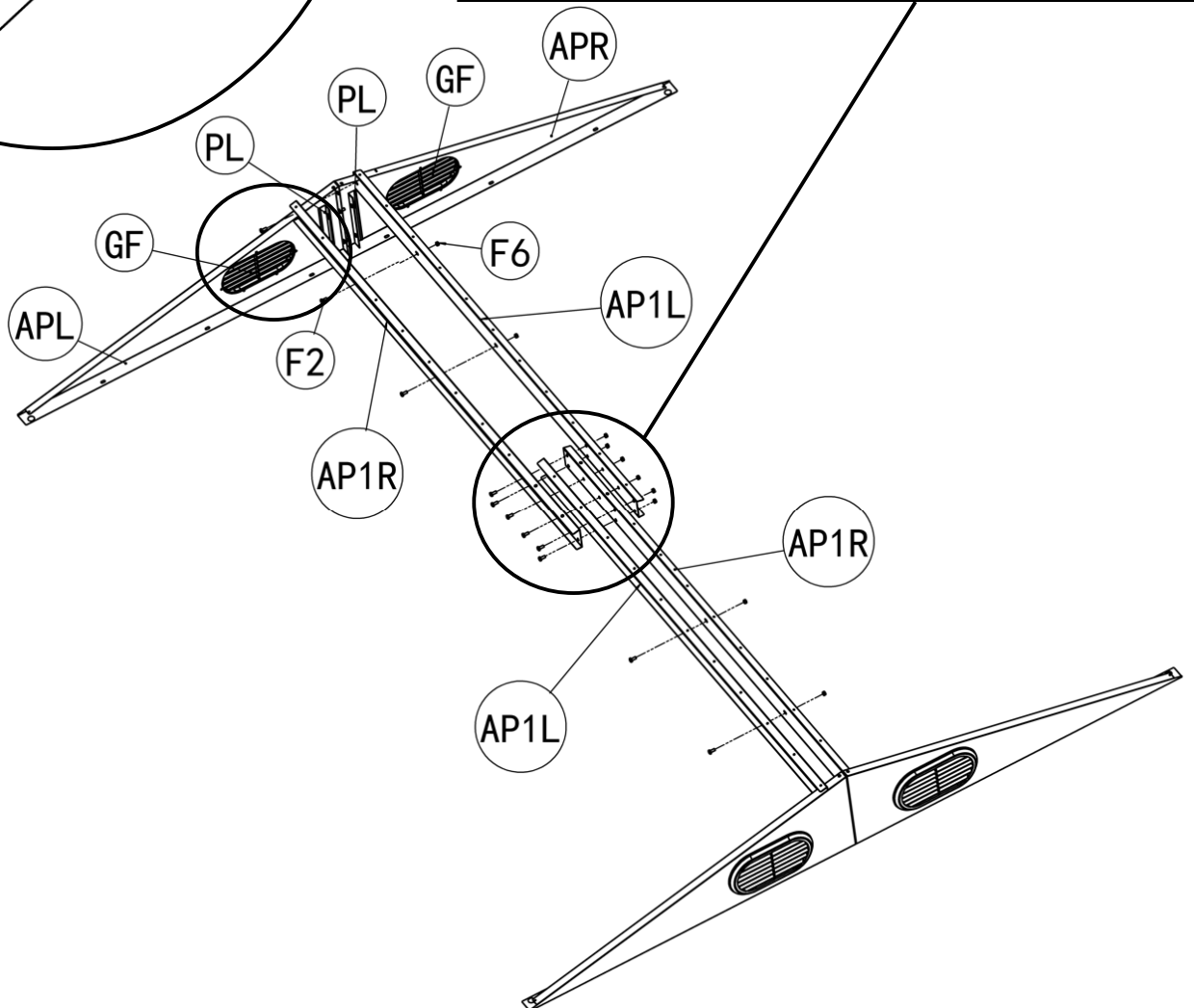
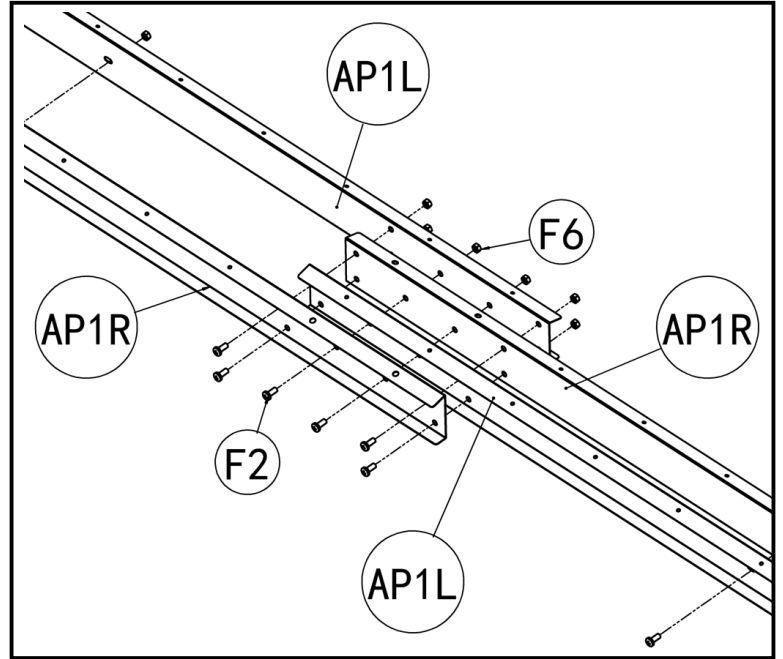
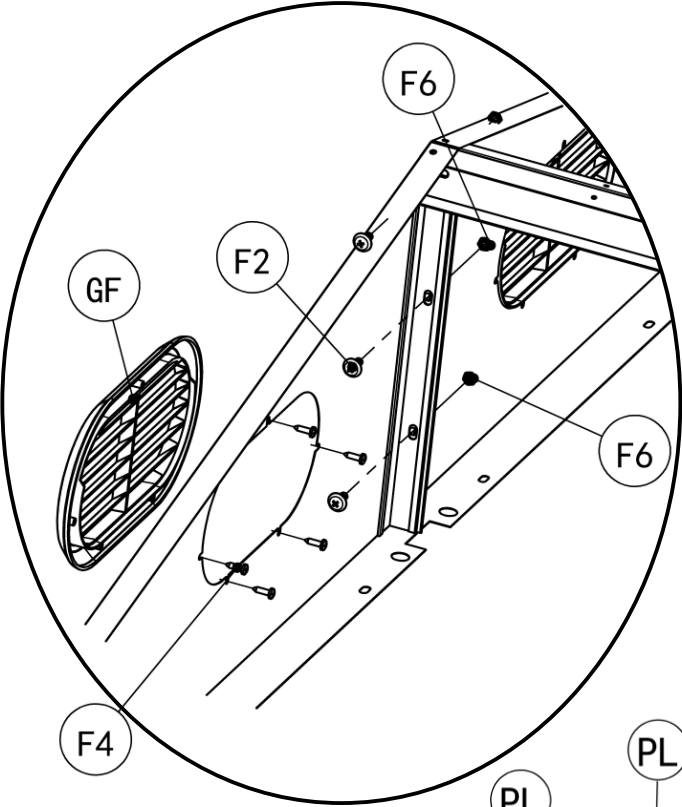





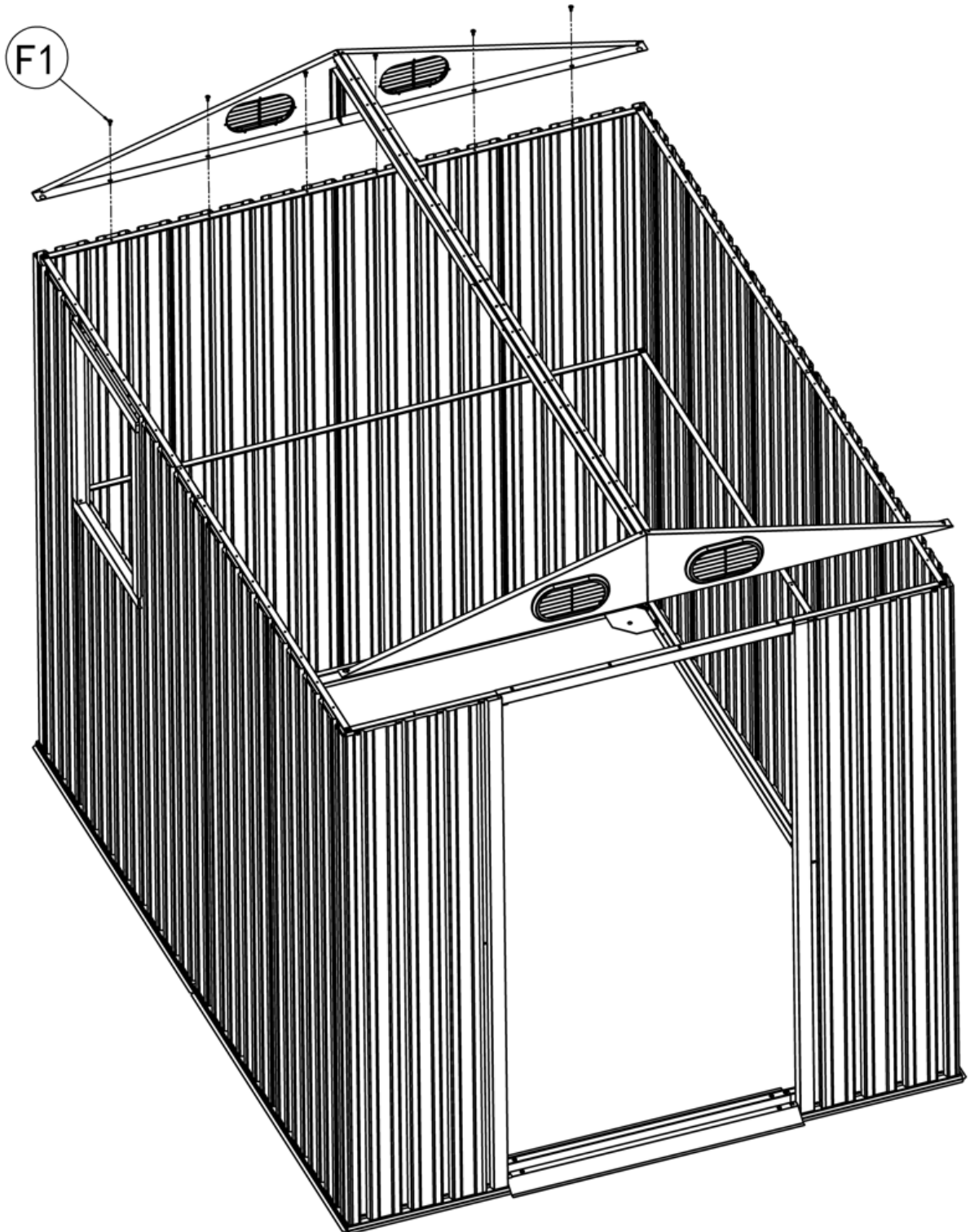



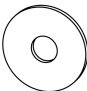
# 5. Roof support section installation

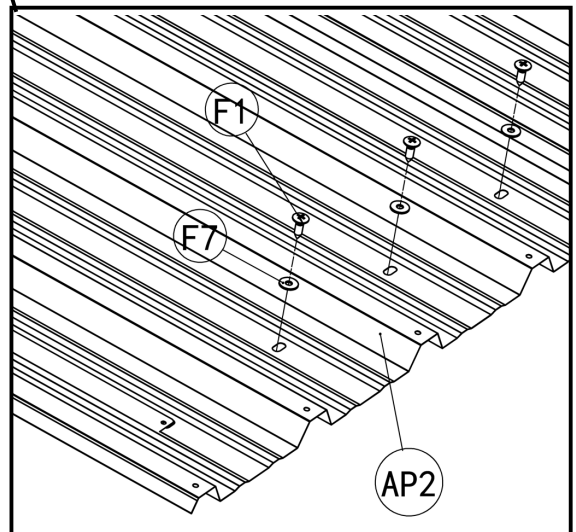
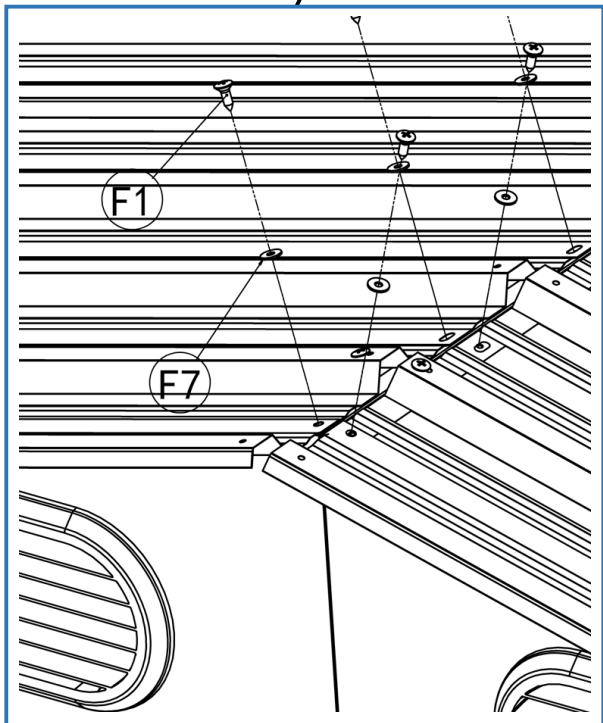
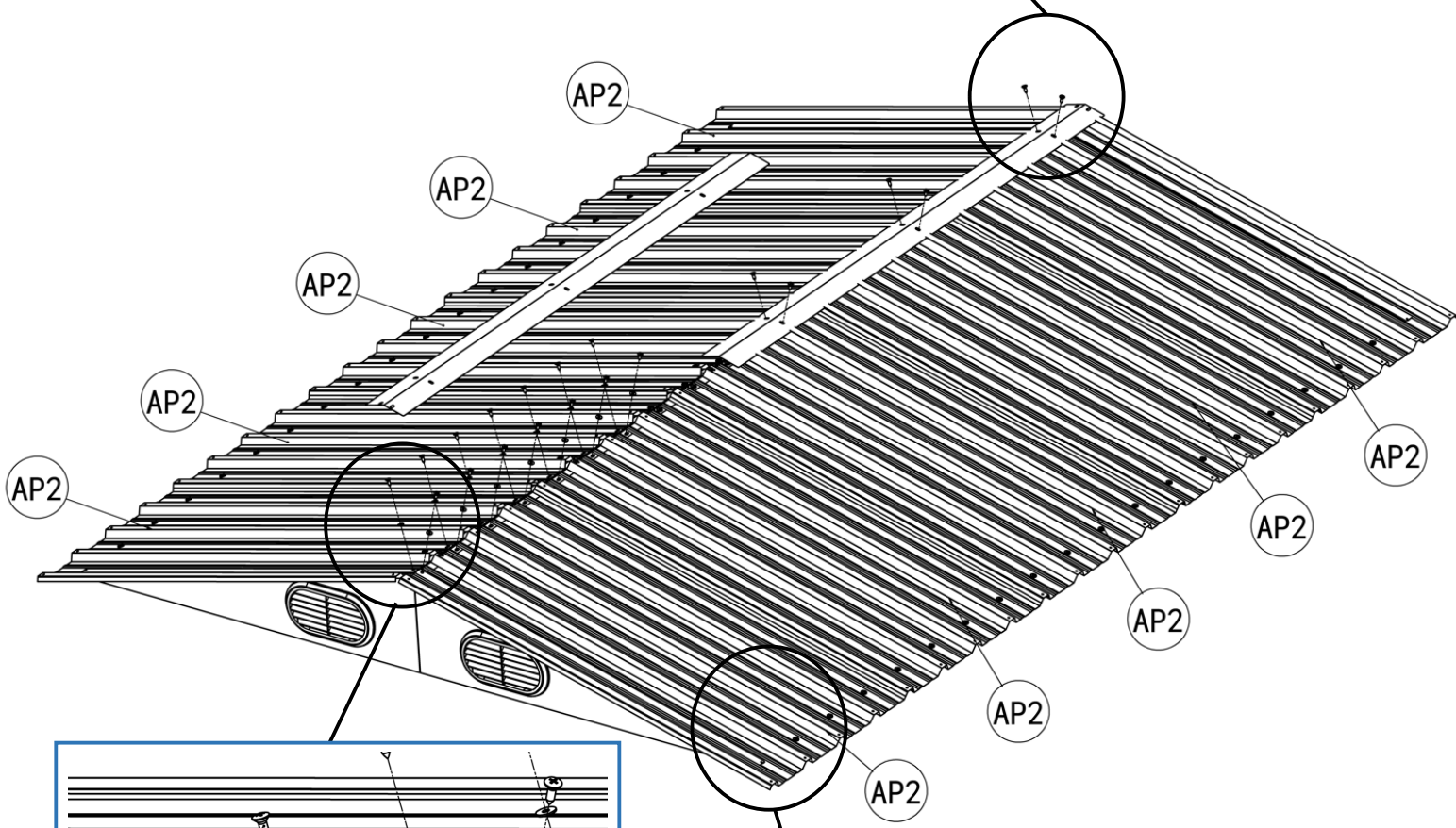
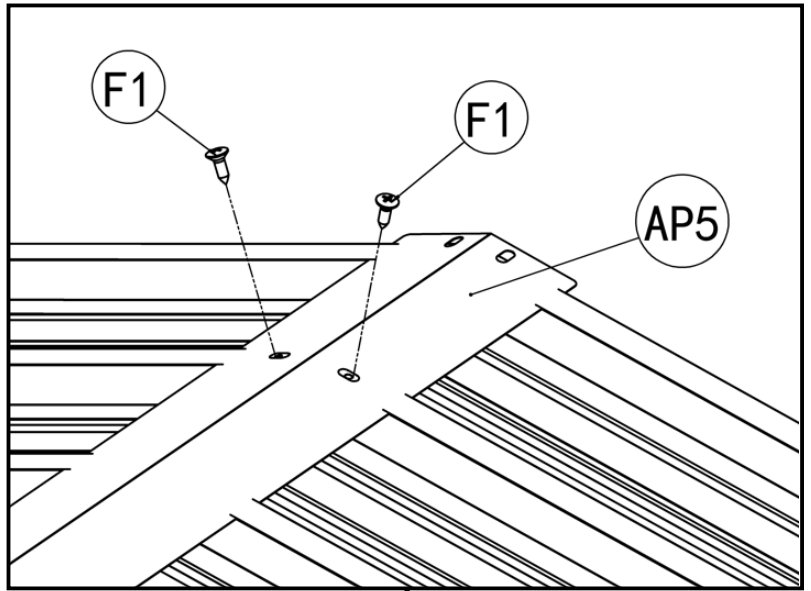
<b>ST3.5X9.5</b>		<b>M5X12</b>		<b>M5</b>	
					
F4	20	F2	16	F6	16

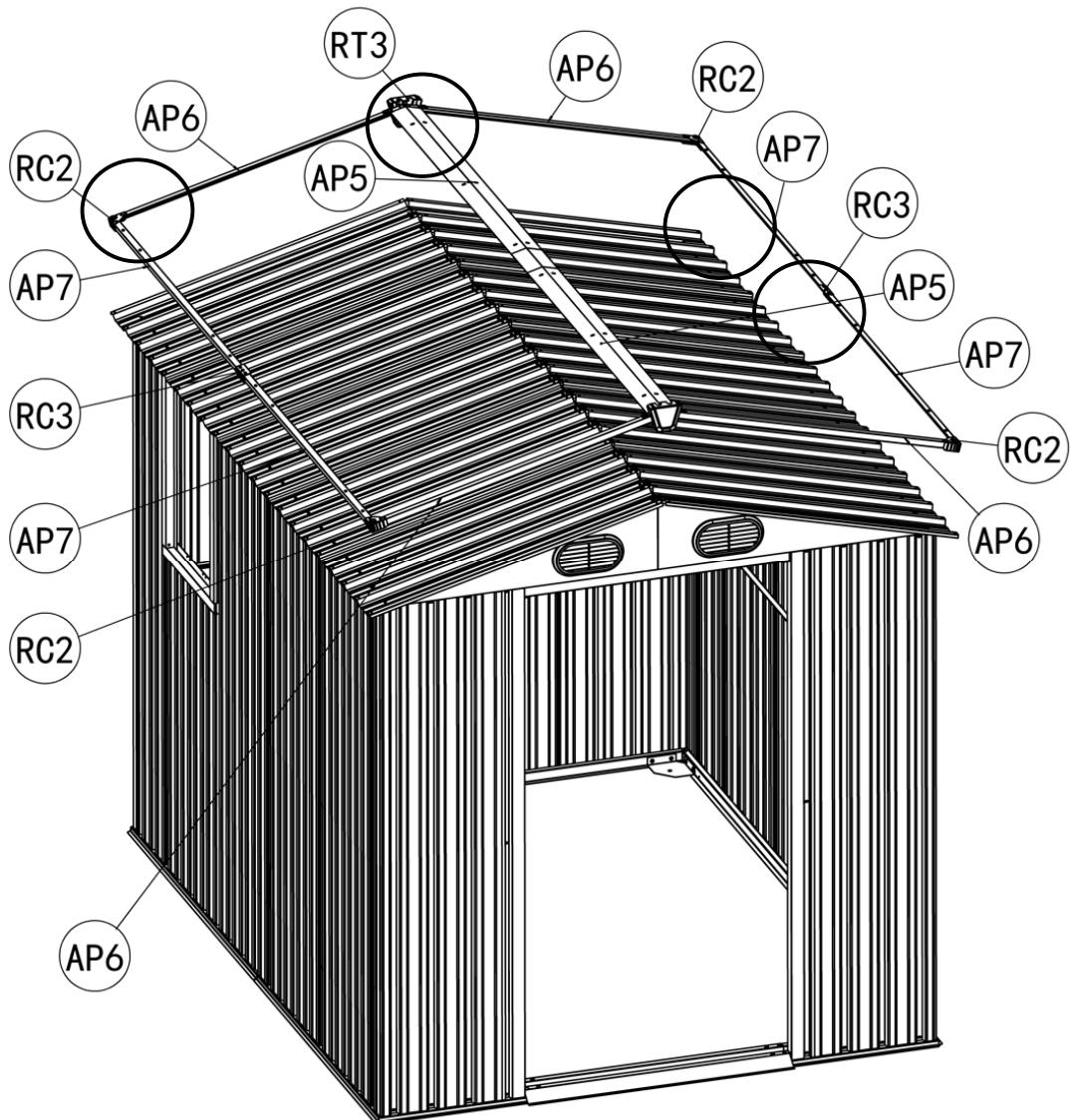
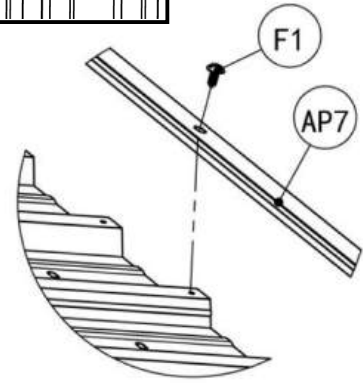
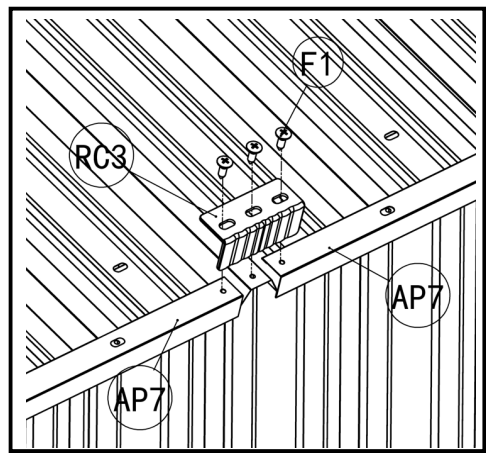
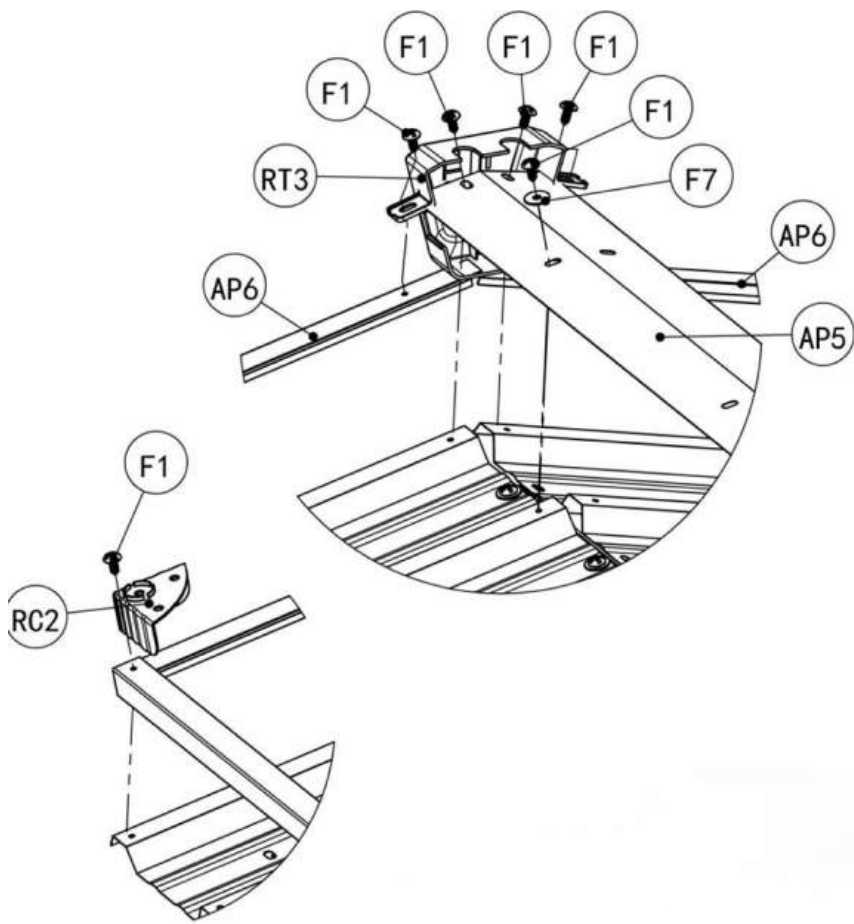


<b>ST4.8X10</b>	
	
F1	12



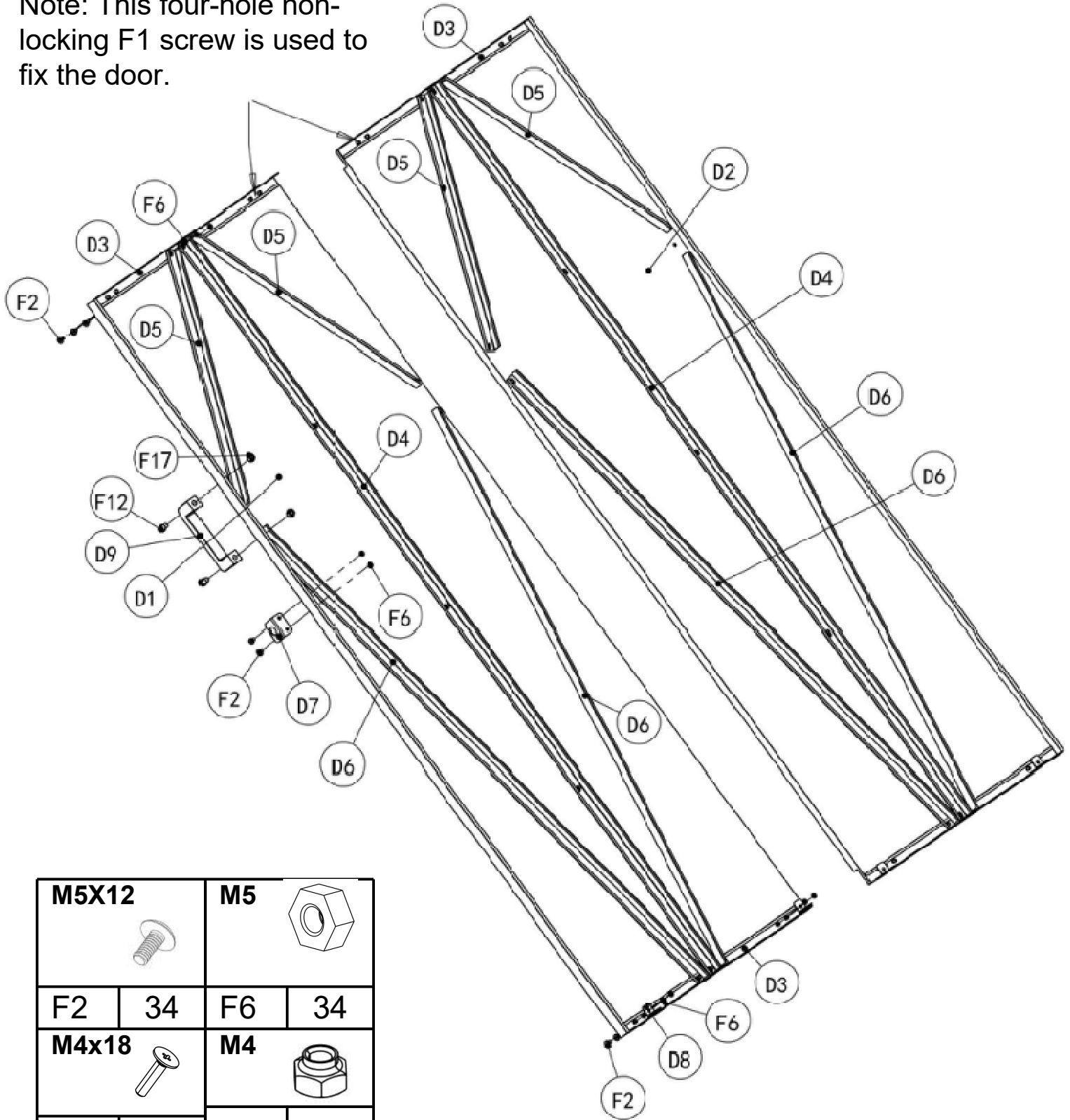
<b>ST4.8X10</b>			
			
F1	80	F7	68




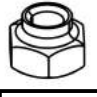





# 4.door installation

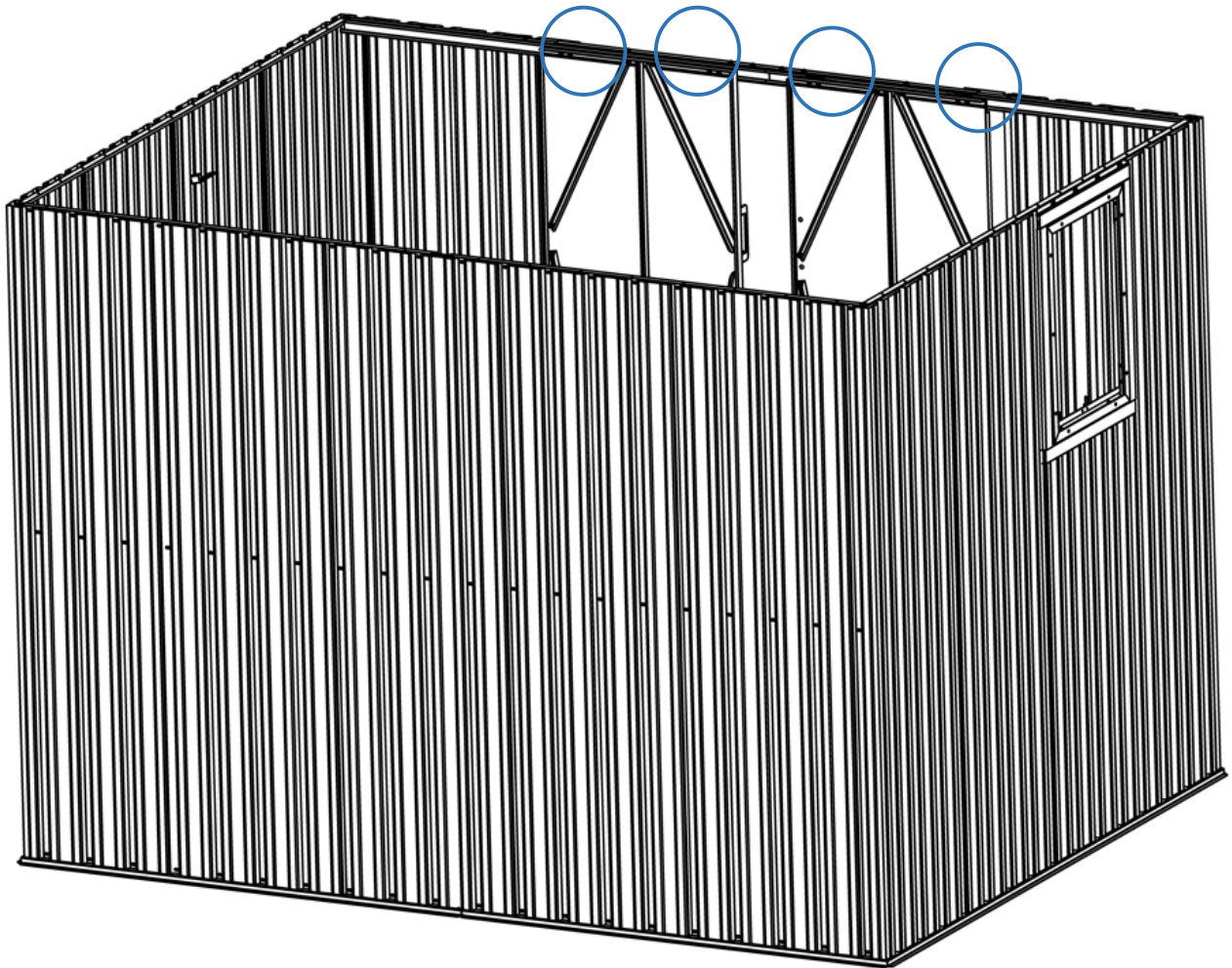
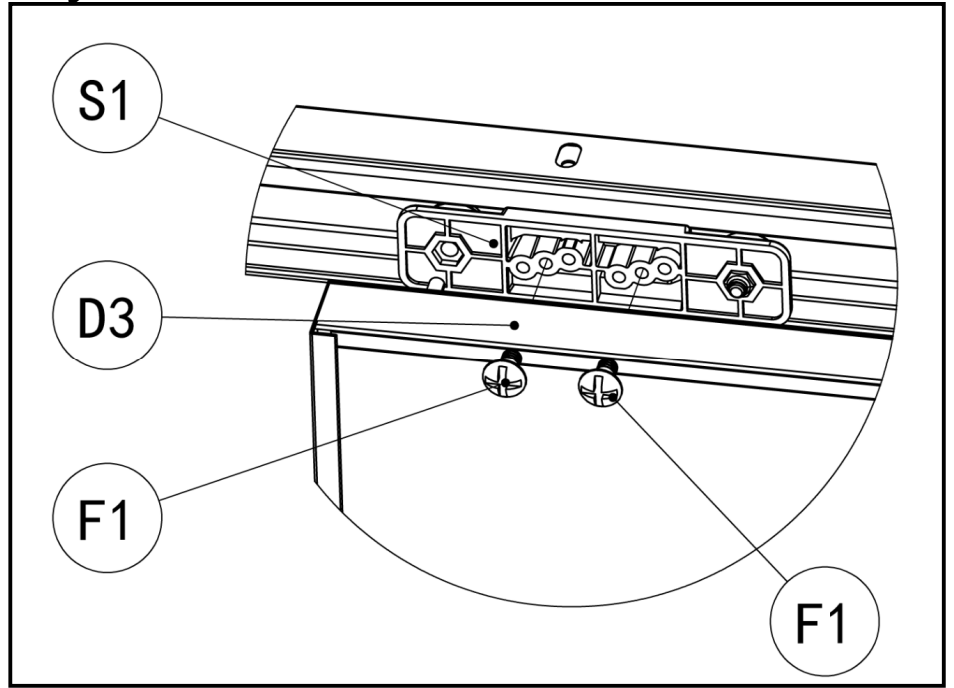
Note: This four-hole non-locking F1 screw is used to fix the door.

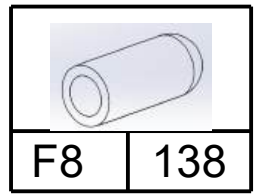


<b>M5X12</b> 		<b>M5</b> 	
F2	34	F6	34
<b>M4x18</b> 		<b>M4</b> 	
F12	4	F17	4

# 5. Final assembly

<b>ST4.8X10</b>	
	
<b>F1</b>	<b>8</b>





Use F8 to protect  
the screws

