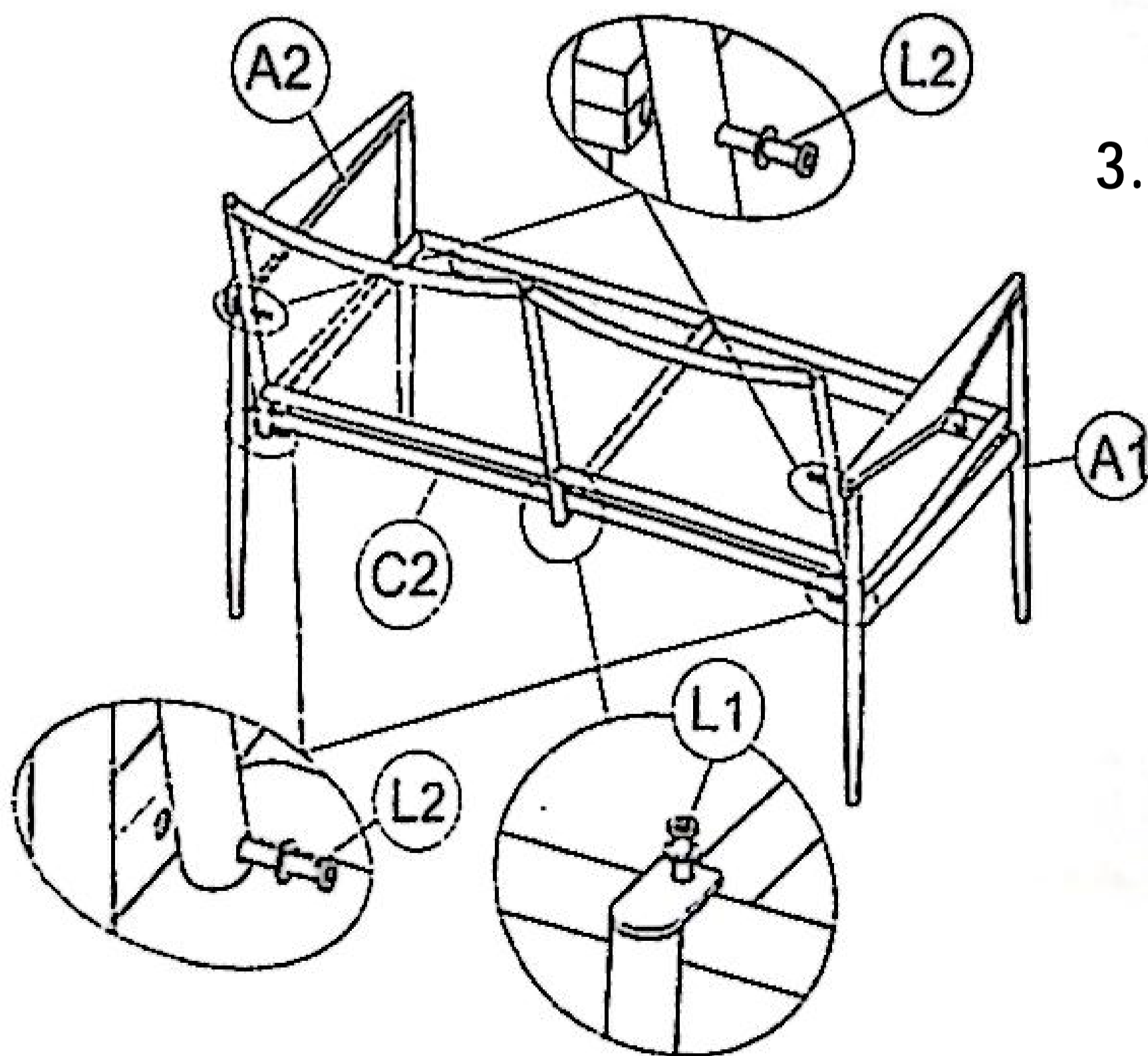
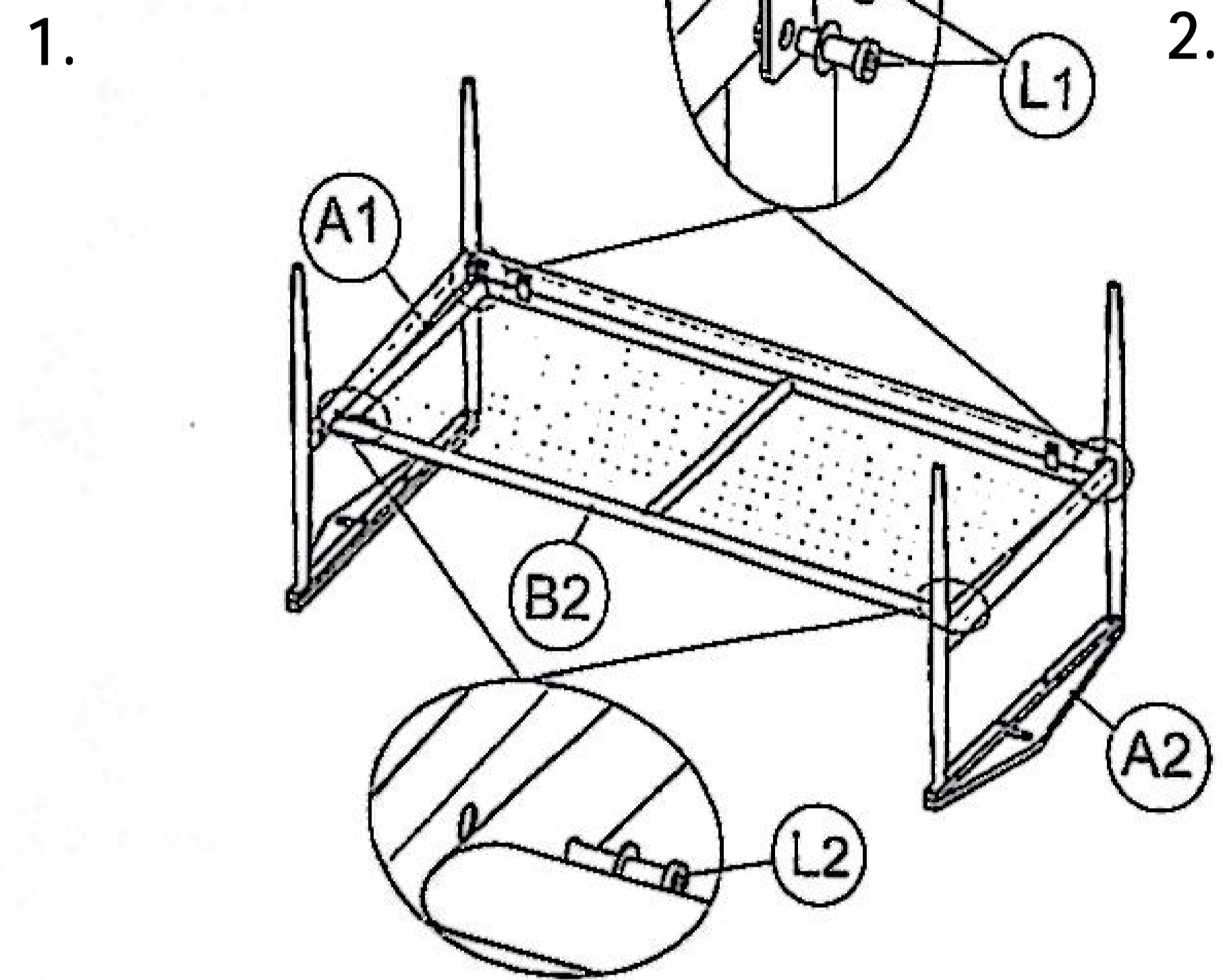
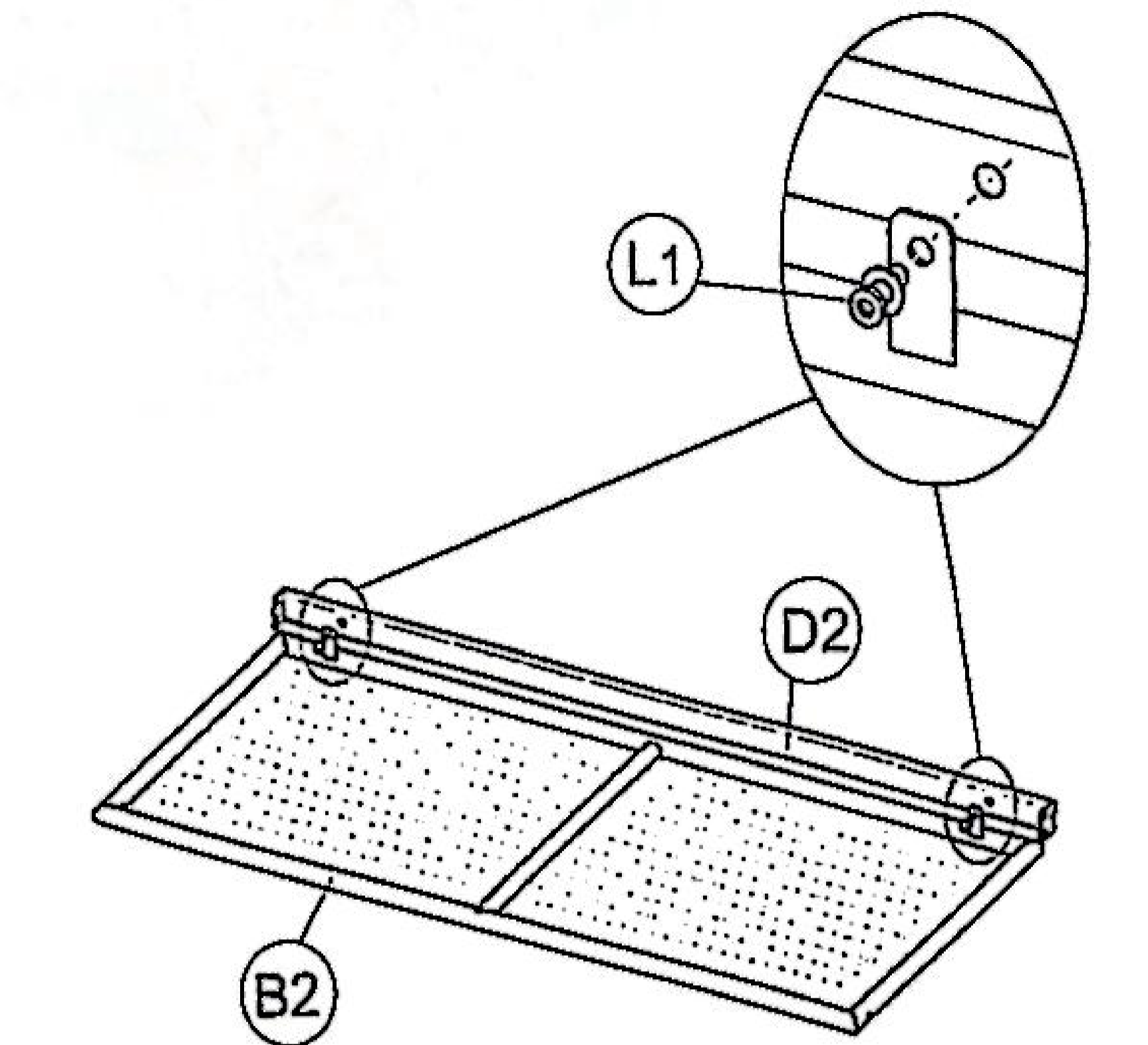
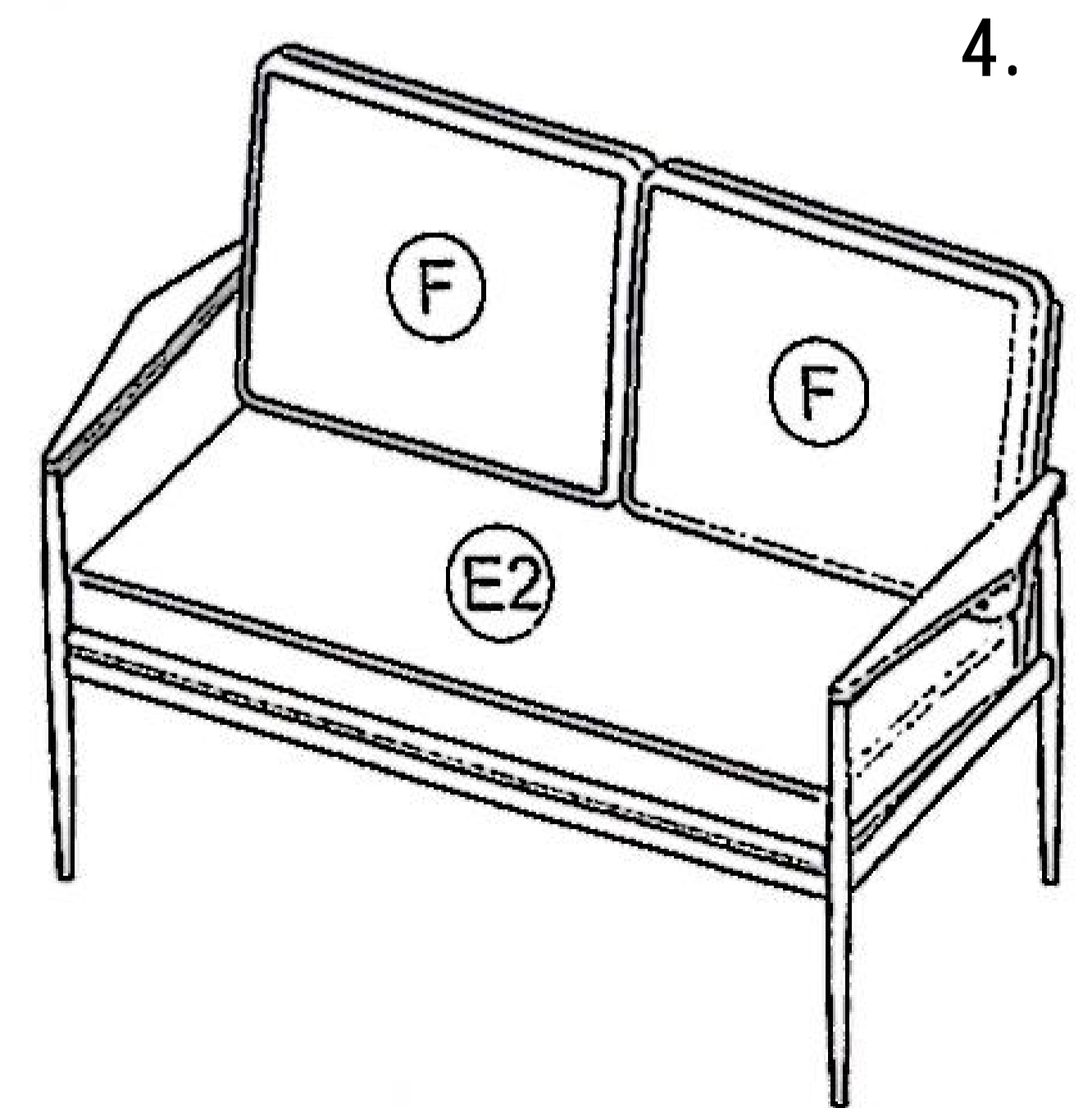






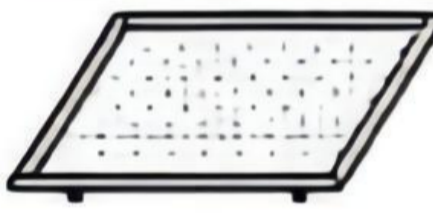
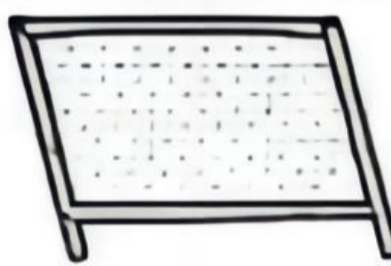

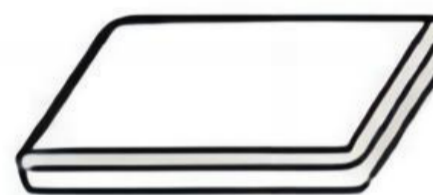
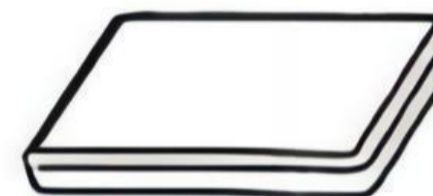



	(A1) 1
	(A2) 1
	(B2) 1
	(C2) 1
	(D2) 1
	(E2) 1
	(F) 2
M6 x 15	(L1) 7
M6 x 40	(L2) 6
	(G) 1

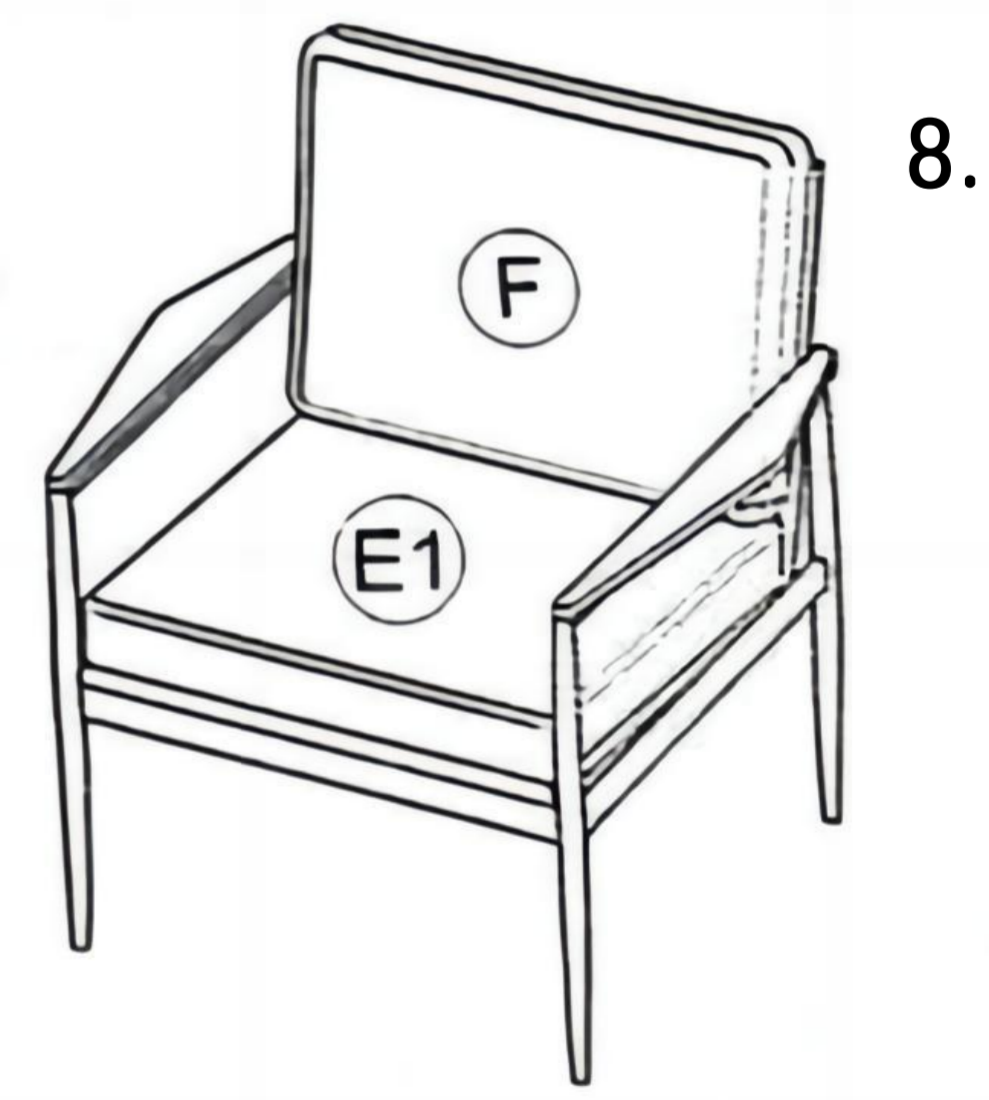
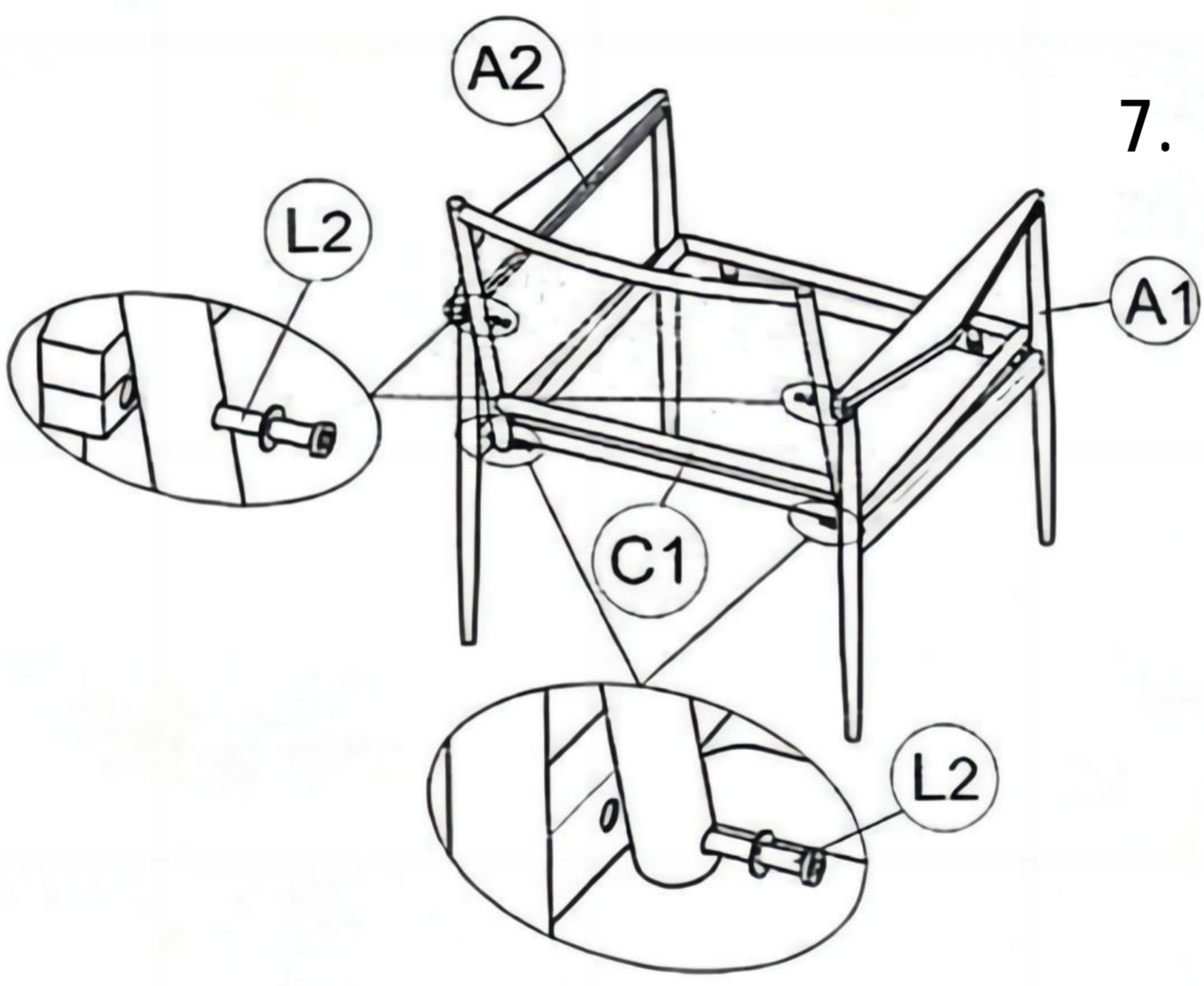
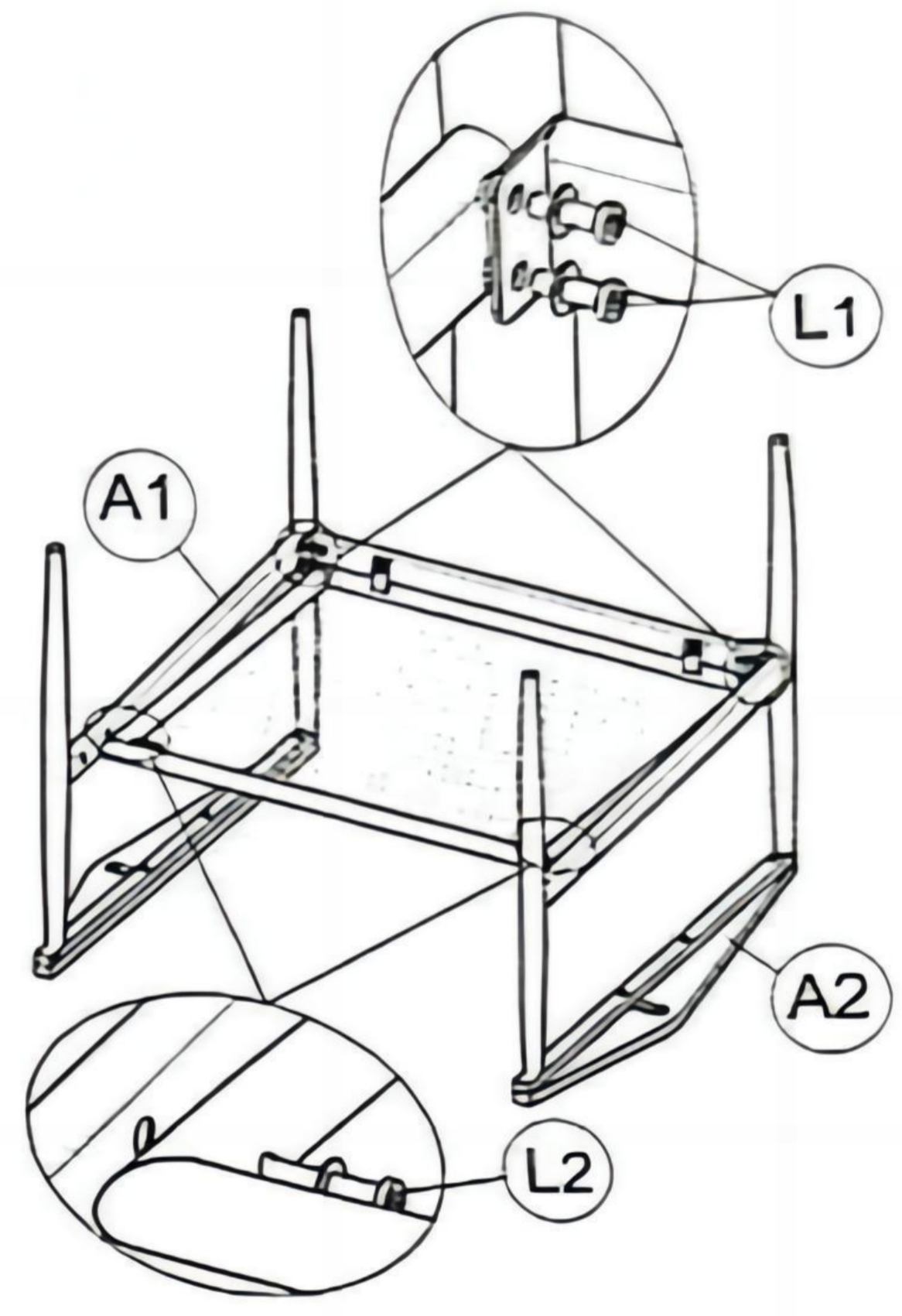
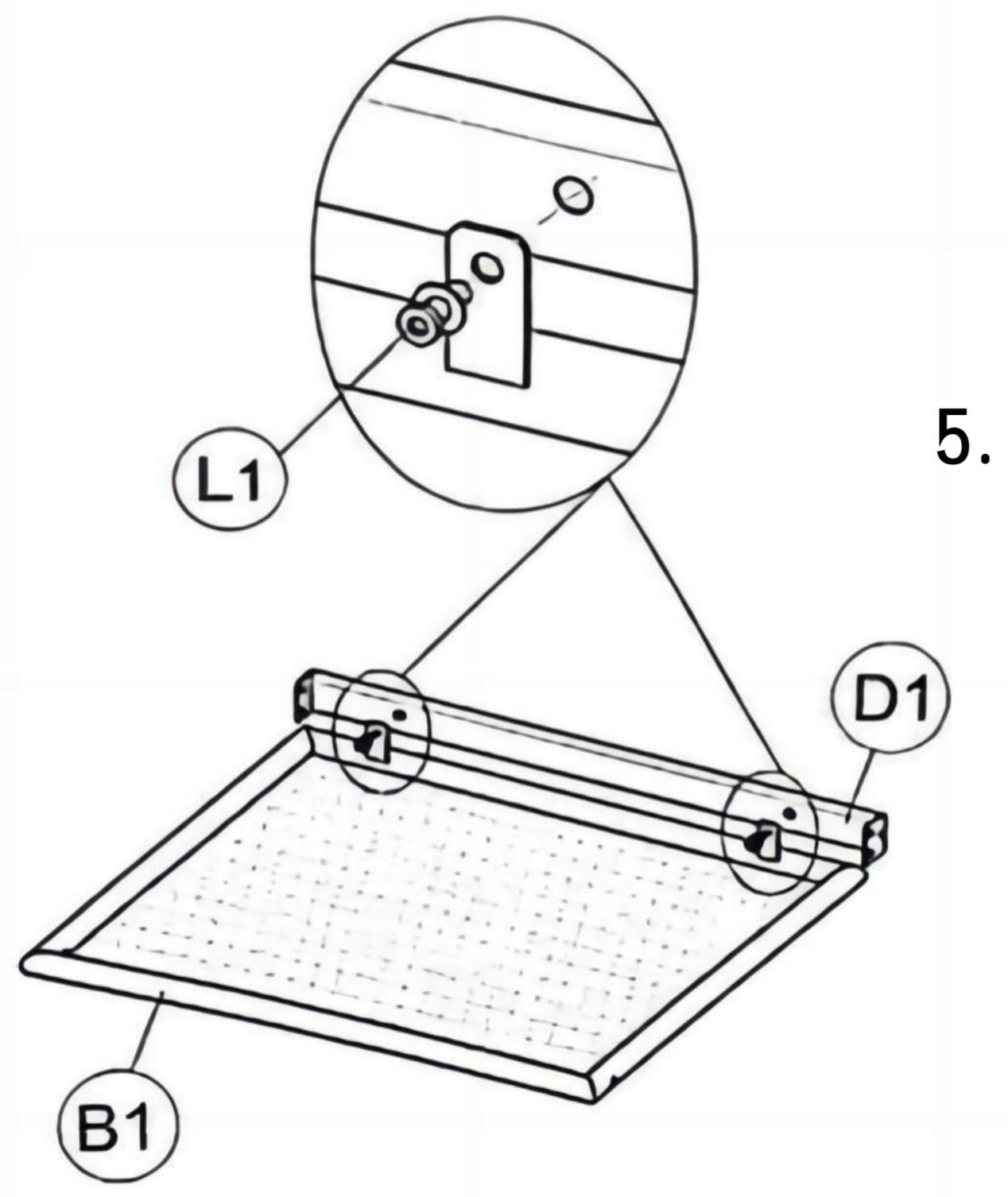


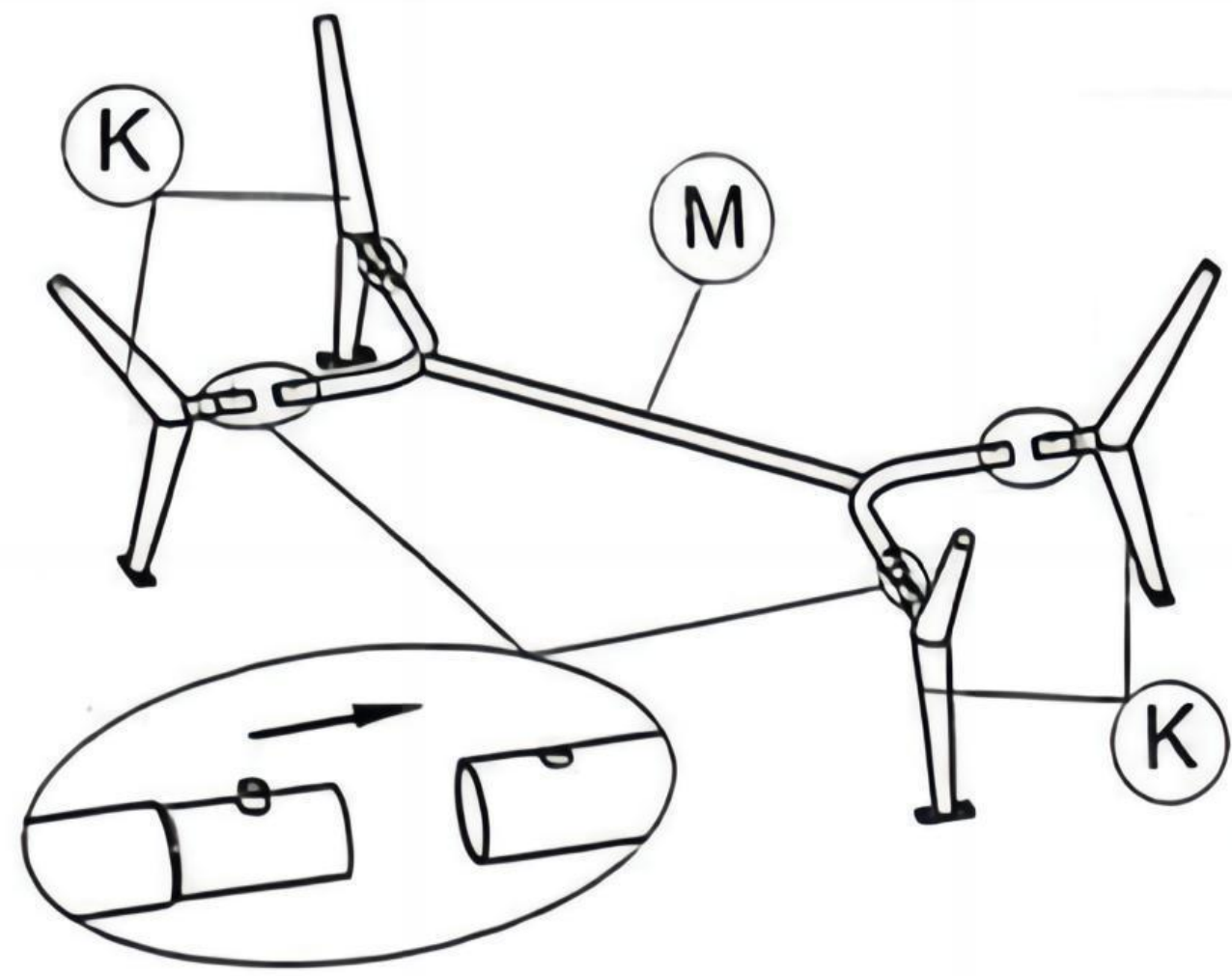
3.



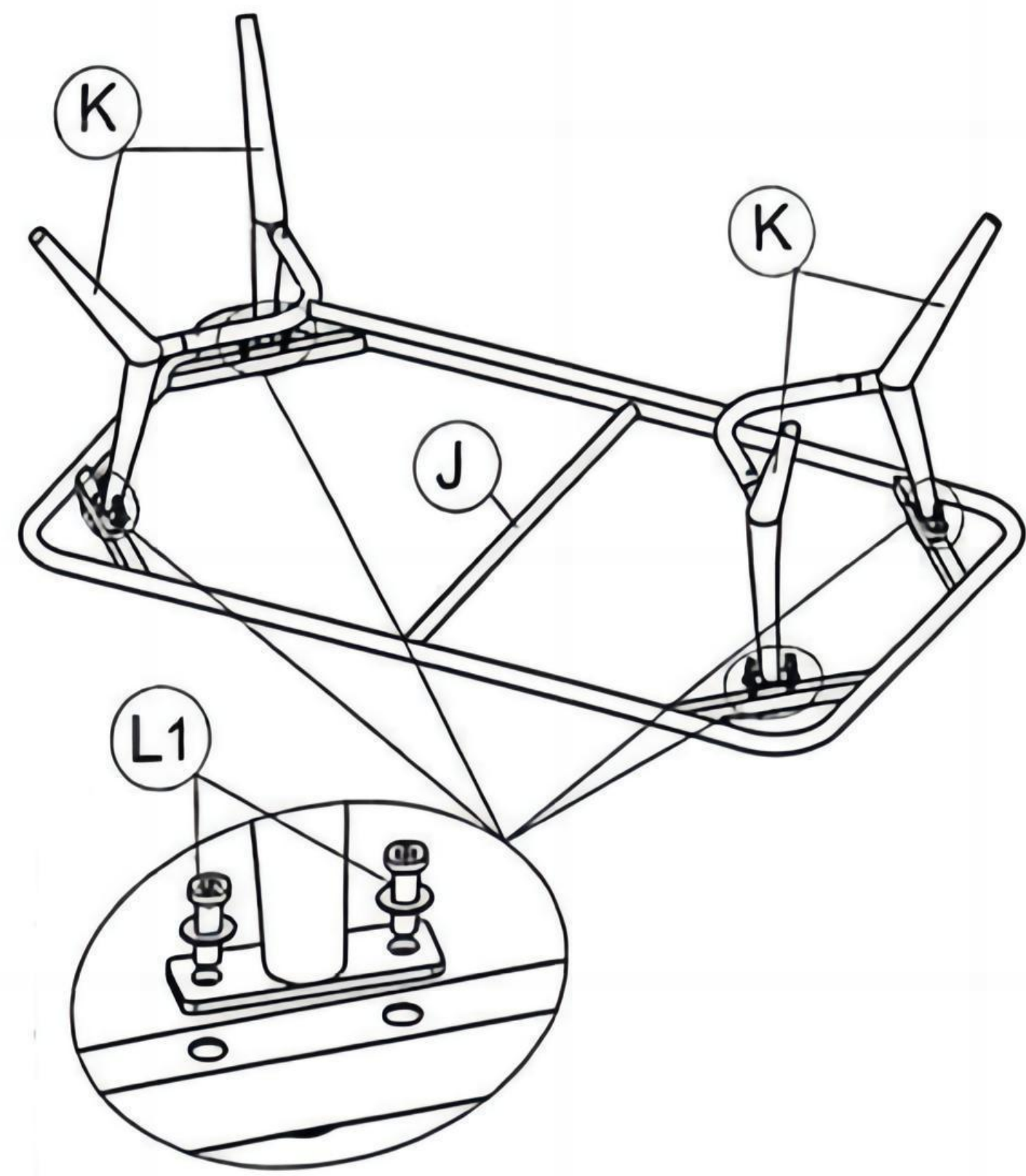
4.

	(A1) 1
	(A2) 1
	(B1) 1
	(C1) 1
	(D1) 1
	(E1) 1
	(F) 1
 M6 x 15	(L1) 6
 M6 x 40	(L2) 6
	(G) 1




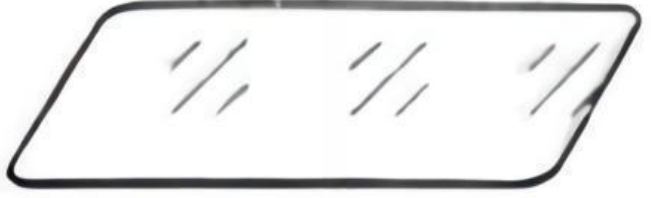






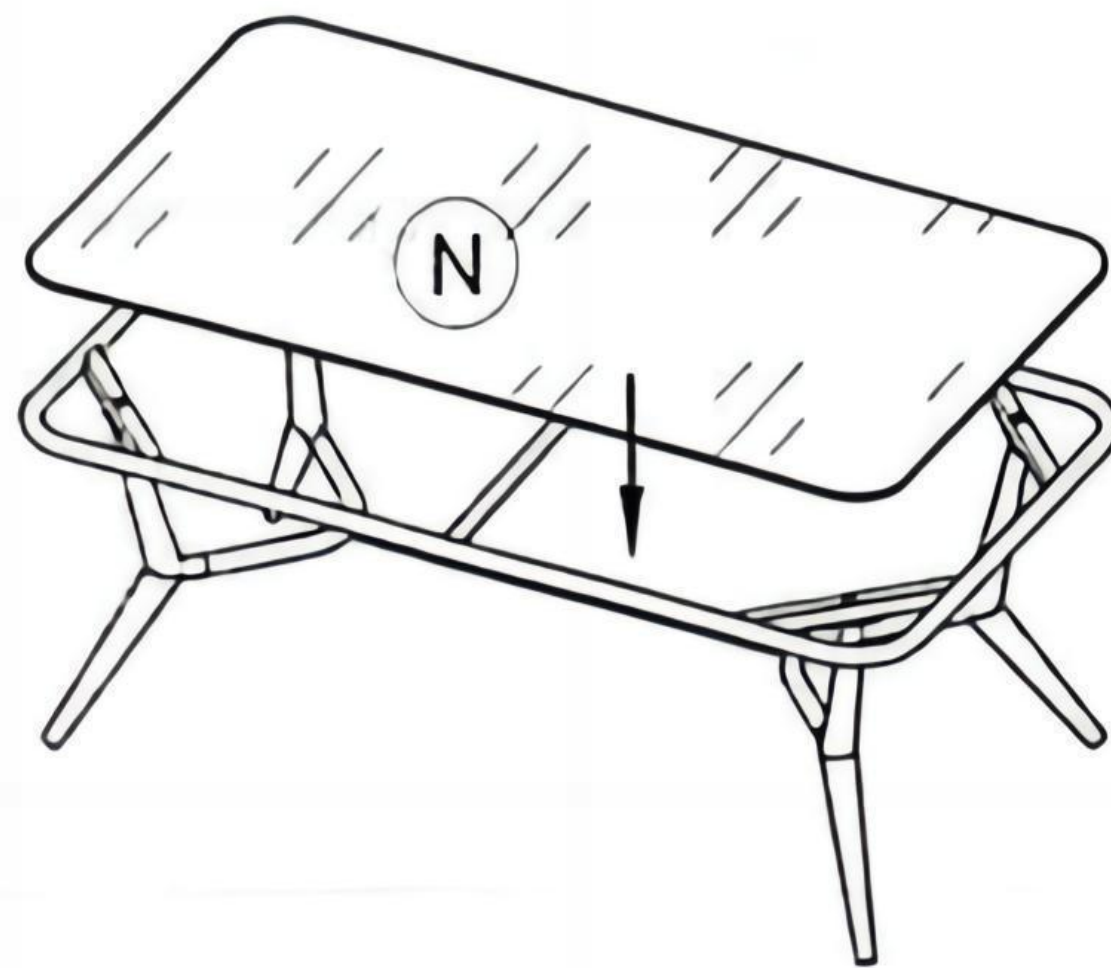
9.



10.

	J 1
	K 4
	M 1
	N 1
 M6 x 15	L1 8
	G 1

11.



12.

