

ASSA Code Handle 8810

Electromechanical code handle for doors



Application

For easy and convenient locking/unlocking of interior door. The product is patented.

Features

- To fit Scandinavian lock cases, type Modul and Evo.
- Also available to fit lock cases in DIN-standard, item no. 8812
- Master code and up to nine different user codes.
- Auto locking function available.
- Two CR2, 3V lithium batteries in the outer handle.
- Indication of low battery.
- Visual and acoustic feedback.
- Easy to fit, no cables.
- Right- and left version.
- Material: brushed stainless steel and satin chrome zink.
- Only for indoor use.

Function

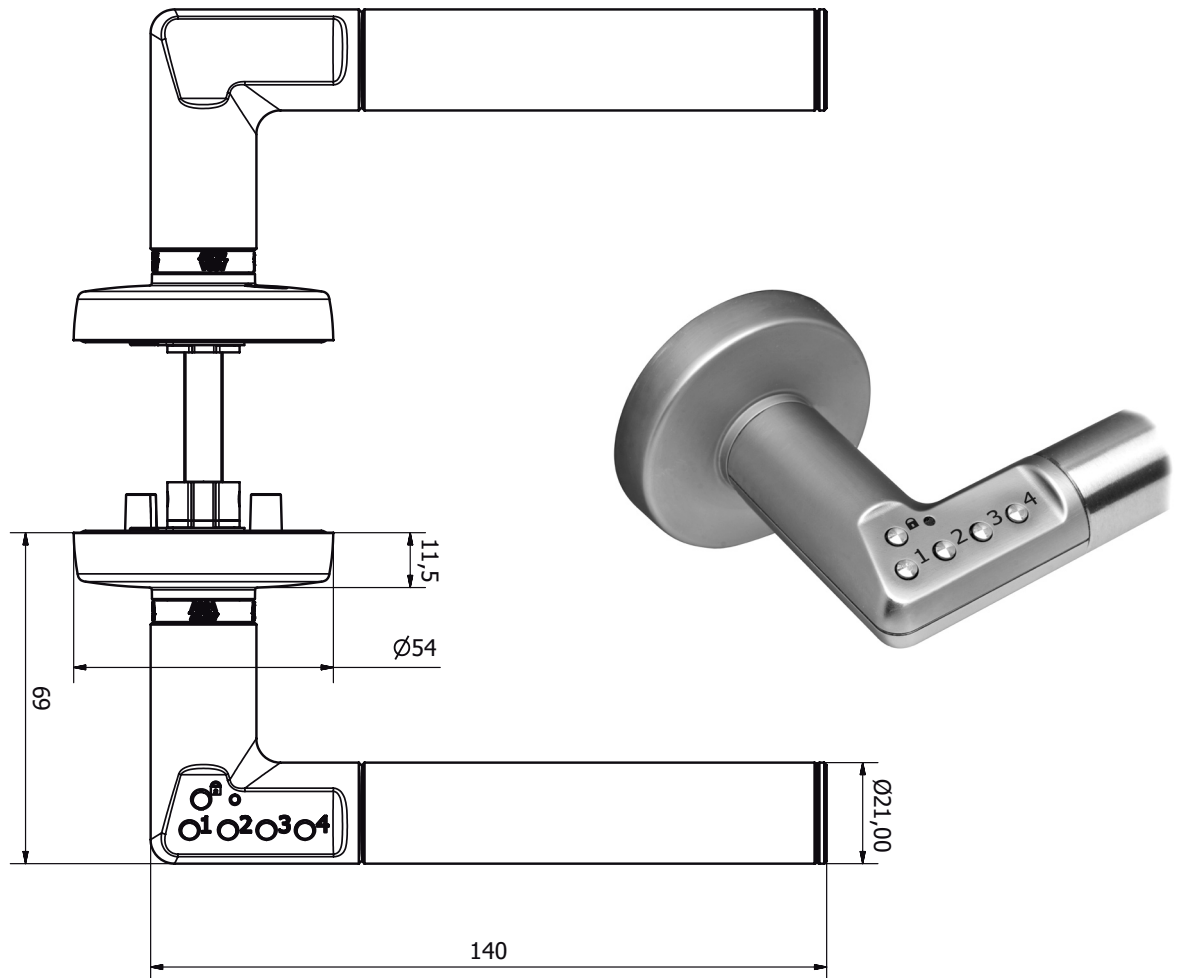
- The locking mechanism is operated with five buttons. Four buttons to press a four- to six digit code to unlock and one button to lock.
- Green light flashes and a sound is heard when the buttons are pressed for unlocking.
- Red light flashes and a sound is heard when locking.
- Master code and user code is programmed at installation. Can be changed unlimitedly.
- Unique reset function. (pat pend)
- If wrong code is pressed five times the handle is blocked for three minutes.
- Free swing from the outside when locked, always possible to open with the handle from the inside.
- The code is constant at voltage drop or battery change.
- The two batteries gives approximately 100.000 operations.
- Red light indicates low battery when approximately 500 operations left

ASSA[®]

ASSA ABLOY

ASSA Code Handle 8810

Electromechanical code handle for doors



ASSA ABLOY, the global leader in door opening solutions, dedicated to satisfying end-user needs for security, safety and convenience.

ASSA OEM AB
P.O. Box 371
SE-631 05 Eskilstuna
Sweden

phone +46 (0)16 17 70 00

ASSA OEM AB
Bruksgatan 17
SE-414 51 Göteborg
Sweden

phone +46(0)31 704 40 00

How to use ASSA Code Handle

ASSA Code Handle needs to be fitted with two batteries, CR2, before you are able to use it

The handle has to be programmed before use. You can choose one master code and up to nine user codes. You can also choose auto locking. Instruction for this is in the package.

To unlock and lock

1. Unlock the handle by pressing the right code on the buttons 1-4.
2. Lock the handle by pressing the button with the padlock symbol.

The actual code can be changed. Instruction for this is in the package.

Makor Technologies Israel
www.makortech.co.il
Tel: 03-9507079