

Please read all the instructions before assembly.

TABLE TENNIS TABLE PART LIST Model No.: OUTDOOR 400

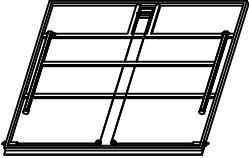
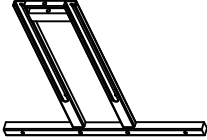



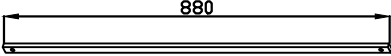
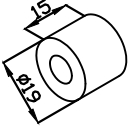

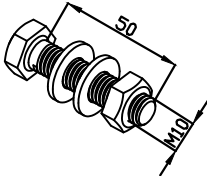
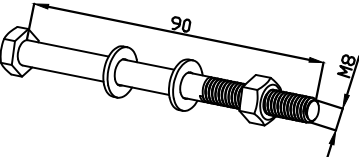
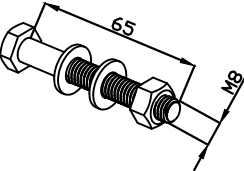
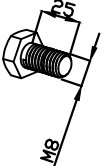
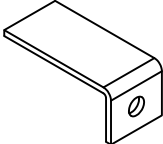
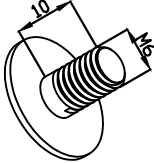
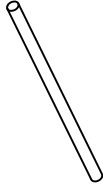
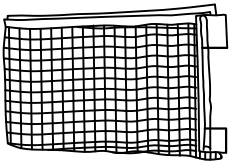
																	
Name	table top	Item#	PC-1	QTY	2	Name	middle plate	Item#	PC-2	QTY	2	Name	wheel	Item#	PC-3	QTY	4
																	
Name	connecting bar	Item#	PC-4	QTY	1	Name	short straight tube	Item#	PC-5	QTY	4	Name	long straight tube	Item#	PC-6	QTY	4
																	
Name	plastic spacer	Item#	PC-7	QTY	12	Name	spacer	Item#	PC-8	QTY	8	Name	M10X50	Item#	PC-9	QTY	4
																	
Name	M8X90	Item#	PC-10	QTY	4	Name	M8X65	Item#	PC-11	QTY	4	Name	M8X25	Item#	PC-12	QTY	4
																	
Name	tube seal	Item#	PC-13	QTY	4	Name	M6X10	Item#	PC-14	QTY	4	Name	net post	Item#	PC-15	QTY	2
					<p>NOTE:</p> <ol style="list-style-type: none"> (1) Check that you have all the parts opposite and familiarise yourself with each part before proceeding. (2) Ensure you have enough space before assembly. (3) To avoid scratching it is recommended that you assemble the unit on a soft level surface. (4) This item is very heavy. A minimum of two persons should be used to assemble or move the table. 												
Name	net	Item#	PC-16	QTY	1												

TABLE TENNIS TABLE USAGE

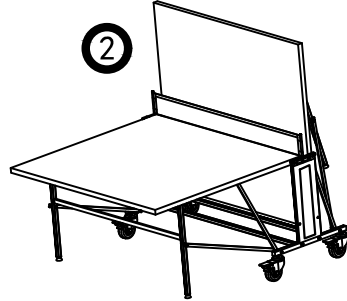
Model No. : OUTDOOR 400

Warning: do not simultaneously fold or unfold the two pieces of table top to avoid hard collision.

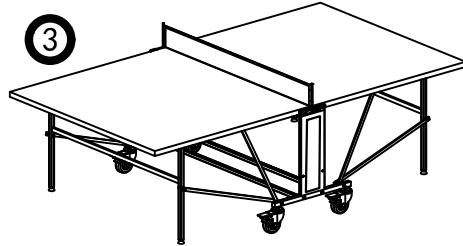
UNFOLD



Pull the release string in order to unfold the table top.

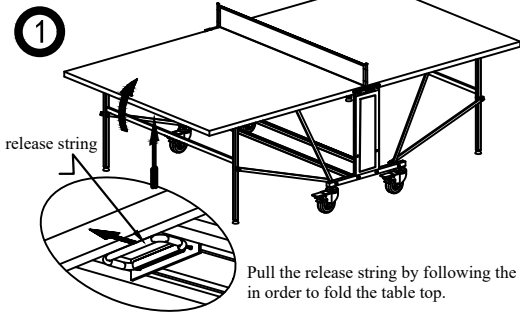


The tennis table can be used in the vertical position as shown here to allow a one person practice facility.

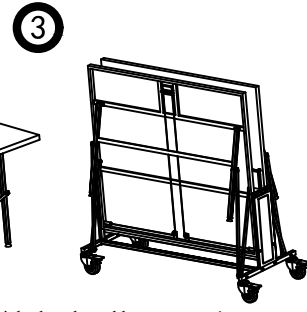
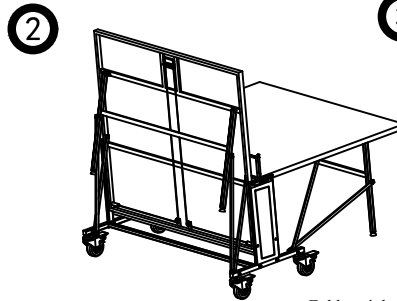


Unfold flat the other table top as step 1.

FOLD



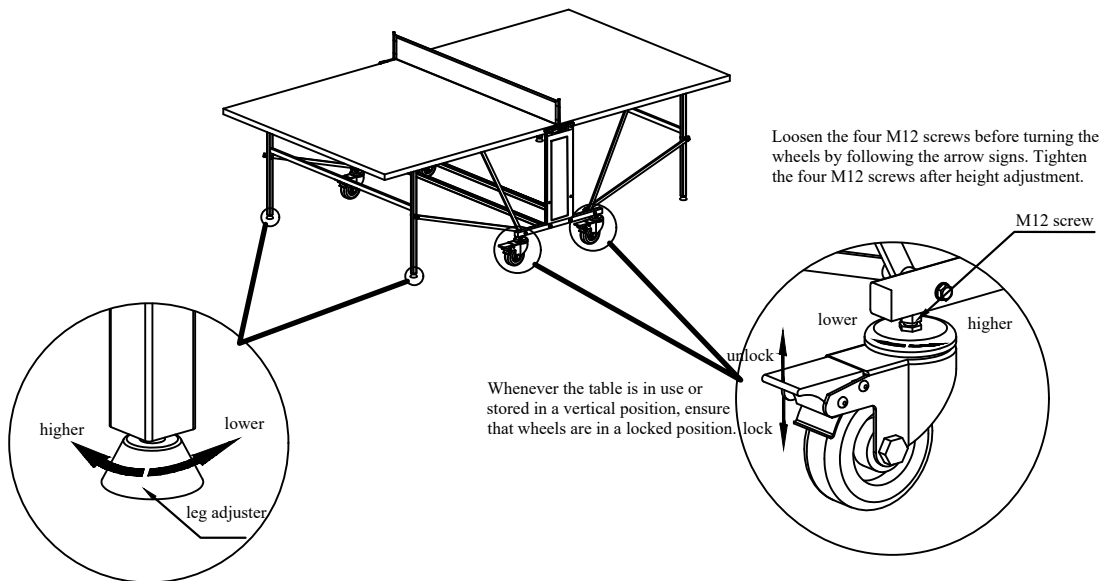
Pull the release string by following the arrow sign in order to fold the table top.



Fold upright the other table top as step 1.

TABLE TENNIS TABLE HEIGHT ADJUSTMENT INSTRUCION

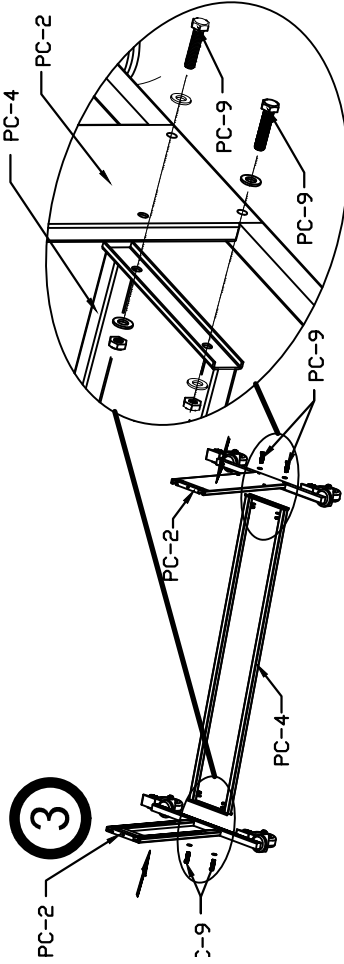
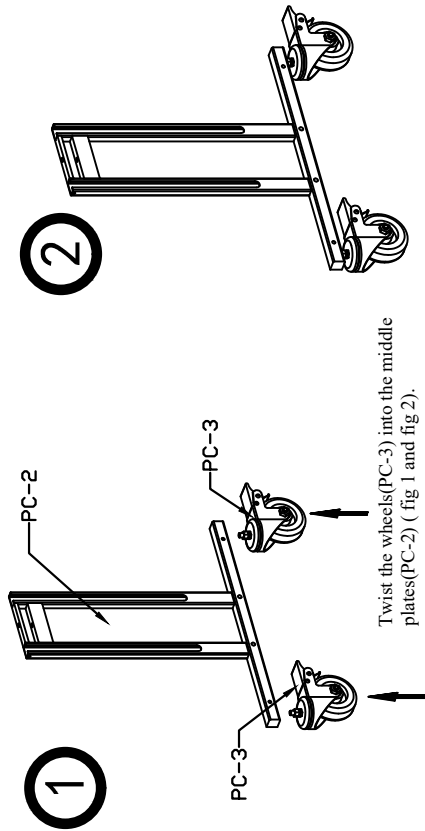
The table tops should be 760 millimetre away from the ground.
Wheels can be height adjusted if middle playfield uneven; also legs can be height adjusted if two sides of playfield uneven.



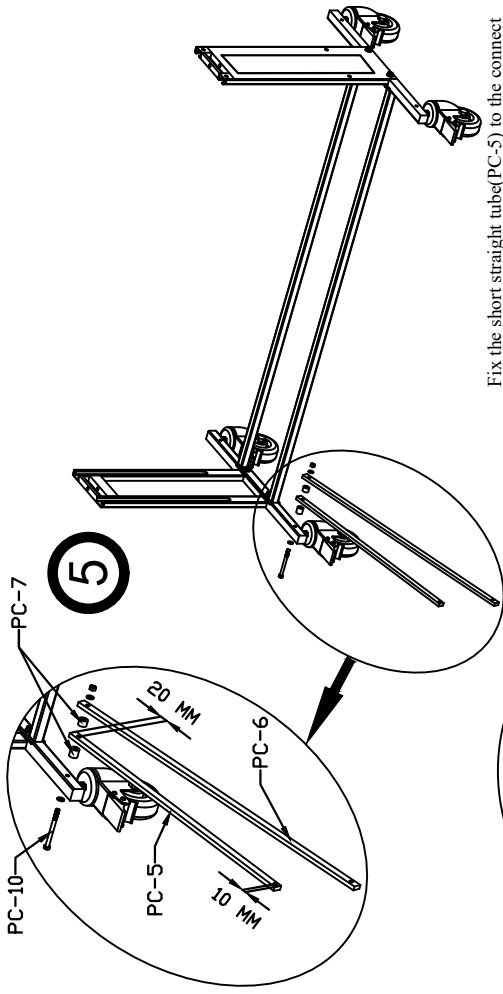
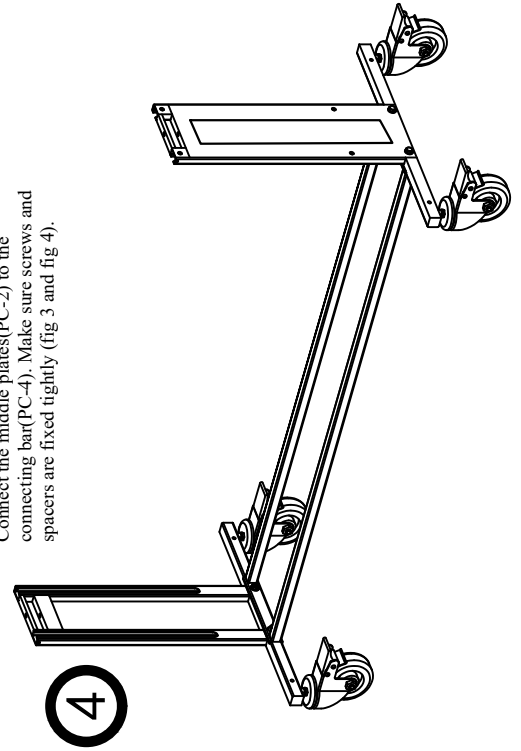
Turn the four leg adjusters by following the arrow signs.

Loosen the four M12 screws before turning the wheels by following the arrow signs. Tighten the four M12 screws after height adjustment.

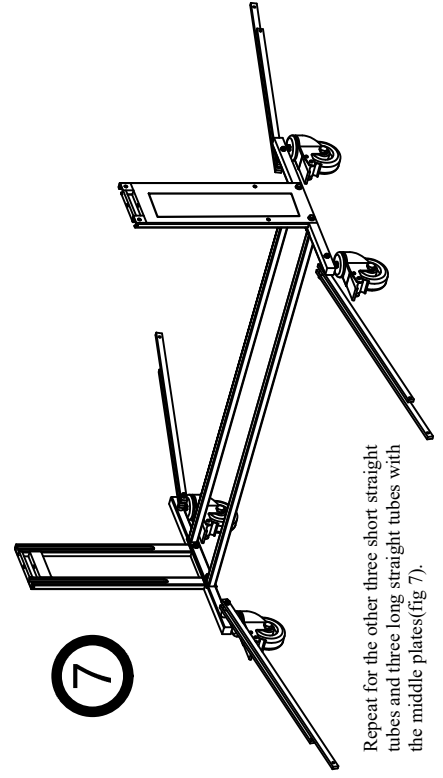
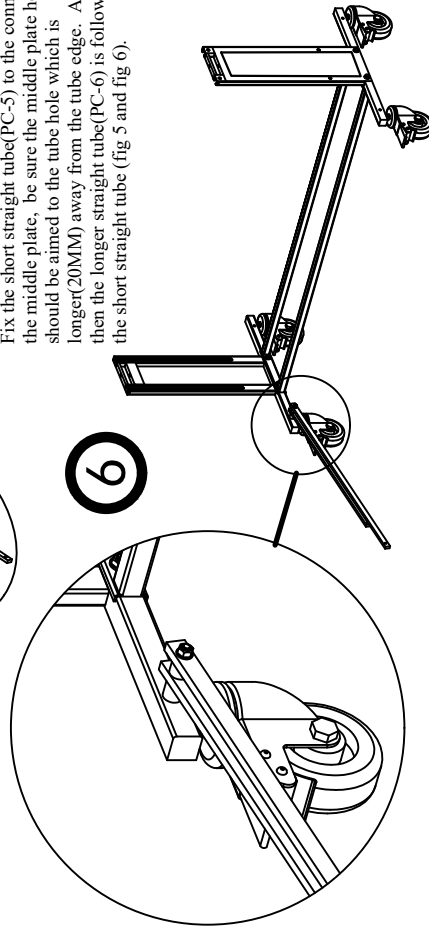
Whenever the table is in use or stored in a vertical position, ensure that wheels are in a locked position.



Connect the middle plates(PC-2) to the connecting bar(PC-4). Make sure screws and spacers are fixed tightly (fig 3 and fig 4).



Fix the short straight tube(PC-5) to the connect the middle plate, be sure the middle plate hole should be aimed to the tube hole which is longer(20MM) away from the tube edge. And then the longer straight tube(PC-6) is following the short straight tube (fig 5 and fig 6).



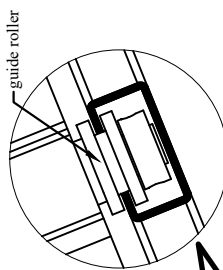
Repeat for the other three short straight tubes and three long straight tubes with the middle plates(fig 7).

Pull the release string while dropping the table top.



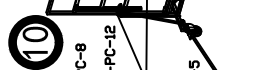
8

Insert the table top(PC-1) into the two middle plates. Make sure the guide rollers aim to the groove of middle plates(fig 8 and fig 9).

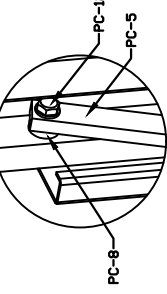


PC-1

M8 screw hole



10



PC-8

PC-12

PC-5

Fix the other end of short straight tubes(PC-5) to the M8 screw holes on the apron of table top (fig 10 and fig 11).



9



11

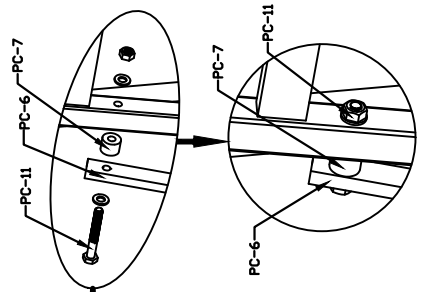
Repeat the way of fig 8 to fig 11 in order to install the other table top (fig 12).



12



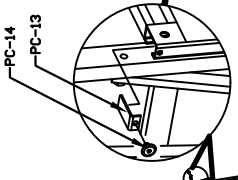
13



Fix the other end of long straight tubes(PC-6) to legs on the table tops (fig 13 and fig 14).



14



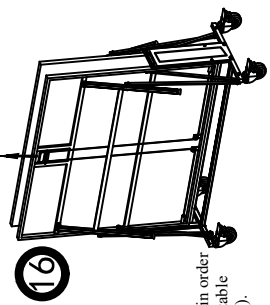
PC-14

PC-13

Cover the groove top of middle plates(PC-2) with the four tube seals(PC-13) (fig 15).

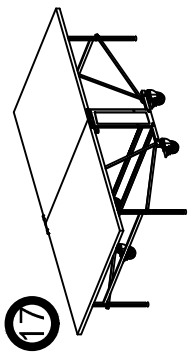


15

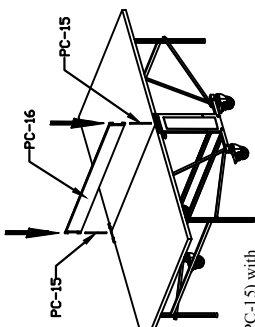


16

Pull the release string in order to unfold flat the two table tops (fig 16 and fig 17).



17



PC-16

PC-15

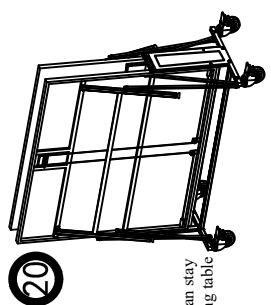
Install the two net posts(PC-15) with net (PC-16) into the holes on the top of middle plates (fig 18 and fig 19).



18



19



20

The net posts with net can stay on the table while folding table as shown (fig 20).